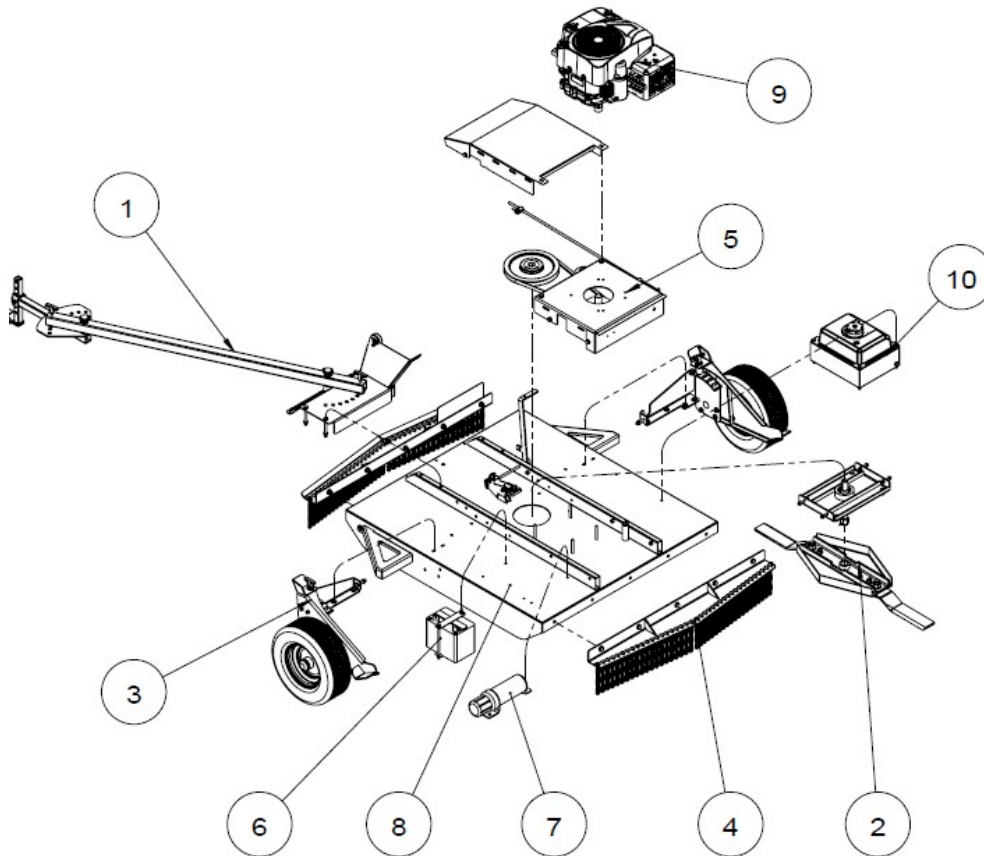
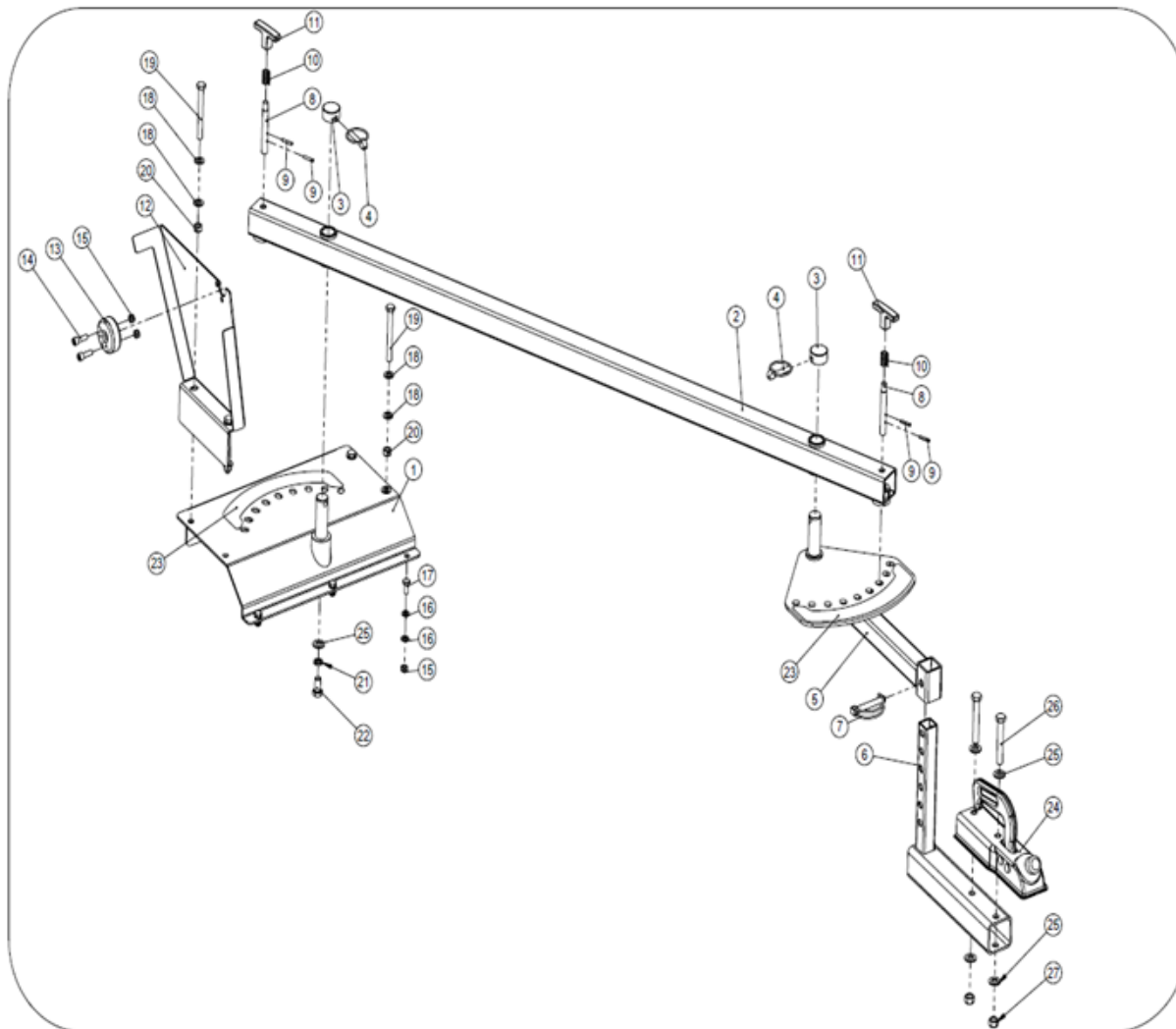


ILLUSTRATED PARTS BREAKDOWN - Rough Cut Mower



KEY	PART #	DESCRIPTION	QTY.
1	STBFM03-05	Pull rod assembly	1
2	STBFM03-02	Cutter head assembly	1
3	STBFM03-04	Wheel assembly	2
4	STBFM03-08	Chain mounting assembly	2
5	STBFM03-06	Drive assembly	1
6	STBFM03-12	Battery fastening assembly	1
7	STBFM03-13	Instruction bucket assembly	1
8	STBFM03-01	Hood mounting assembly	1
9	RV550D	ENGINE	1
10	STBFM03-10	Fuel tank mounting assembly	1

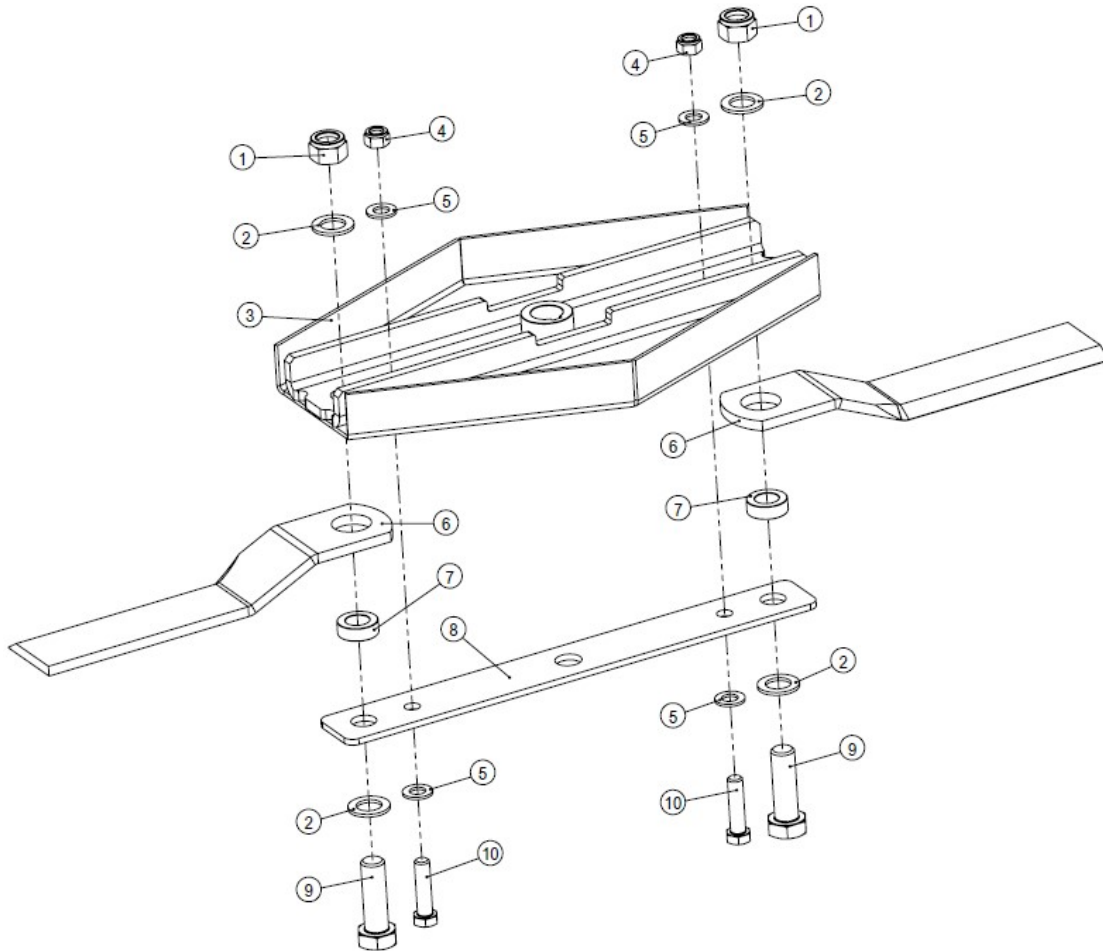
ILLUSTRATED PARTS BREAKDOWN - Tow Bar Mount Group



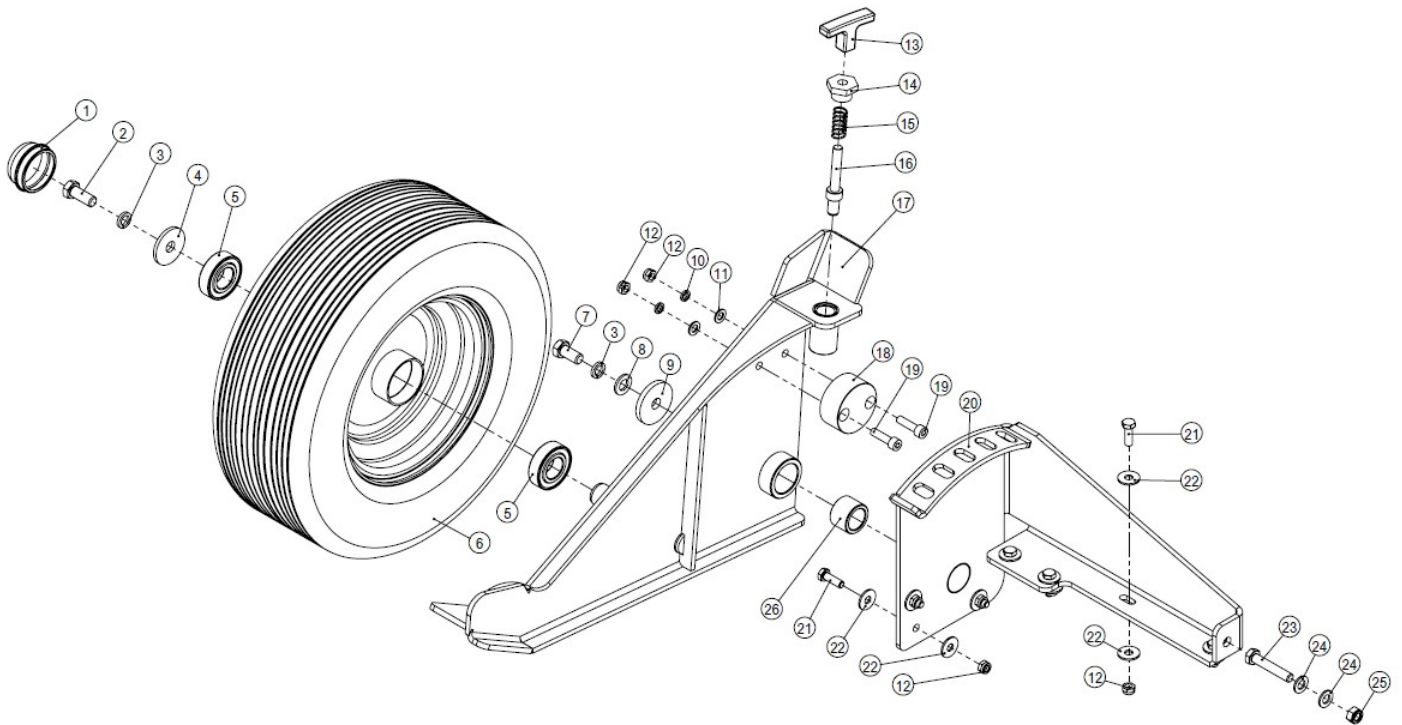
PO S.	Specification	Description	Qty
1	STBFM03-016	Deck mount tow bar	1
2	STBFM03-05-010	Tie rod welding	1
3	STBFM03-05-103	Cap shrrft mount	2
4	8	Safety pin 8	2
5	STBFM03-017	Degree plate	1
6	STBFM03-05-020A	Hitch adjustable	1
7	10*67	Safety pin 10*67	1
8	STBFM03-116	Tongue latch pin	2
9	GB/T 879.4-2000	Spring-type straight pin 4*25	4
10	STBFM03.203	Pressure spring	2
11	STBFM03.212	Vibration-Absorbing Knob	2
12	STBFM03-05-101	Support plate	1
13	STBFM03-05-102	Cable slider	1
14	GB/T 70.1-2000	HSCS-Cap M8*25	2

15	GB/T 889.1-2000	Locknut M8	5
16	GB/T 95-2002	Plain washer 8×1.6	6
17	GB/T 5783-2000	Hexagon head bolt-Full thread M8×20	3
18	GB/T95-10-EP•Zn	Plain washer	9
19	GB/T 5782-2000	Hexagon head bolt M10×100	4
20	GB/T 889.1-2000	Locknut M10	4
21	GB/T95-12-EP•Zn	Plain washer	5
22	GB/T 93-1987	Spring washer 12	1
23	GB/T5783-M12×25-8.8-EP•Zn	Full-thread hexagon bolts	1
24	21438	STBFM03 Dedicated Decal	2
25	W02001A07000-001	Hitch ball coupler	1
26	GB/T5783-M12×85-8.8-EP•Zn	Full-thread hexagon bolts	2
27	GB/T889.1-M12-8-EP•Zn	Locknut	2

ILLUSTRATED PARTS BREAKDOWN - Blade Mount Group

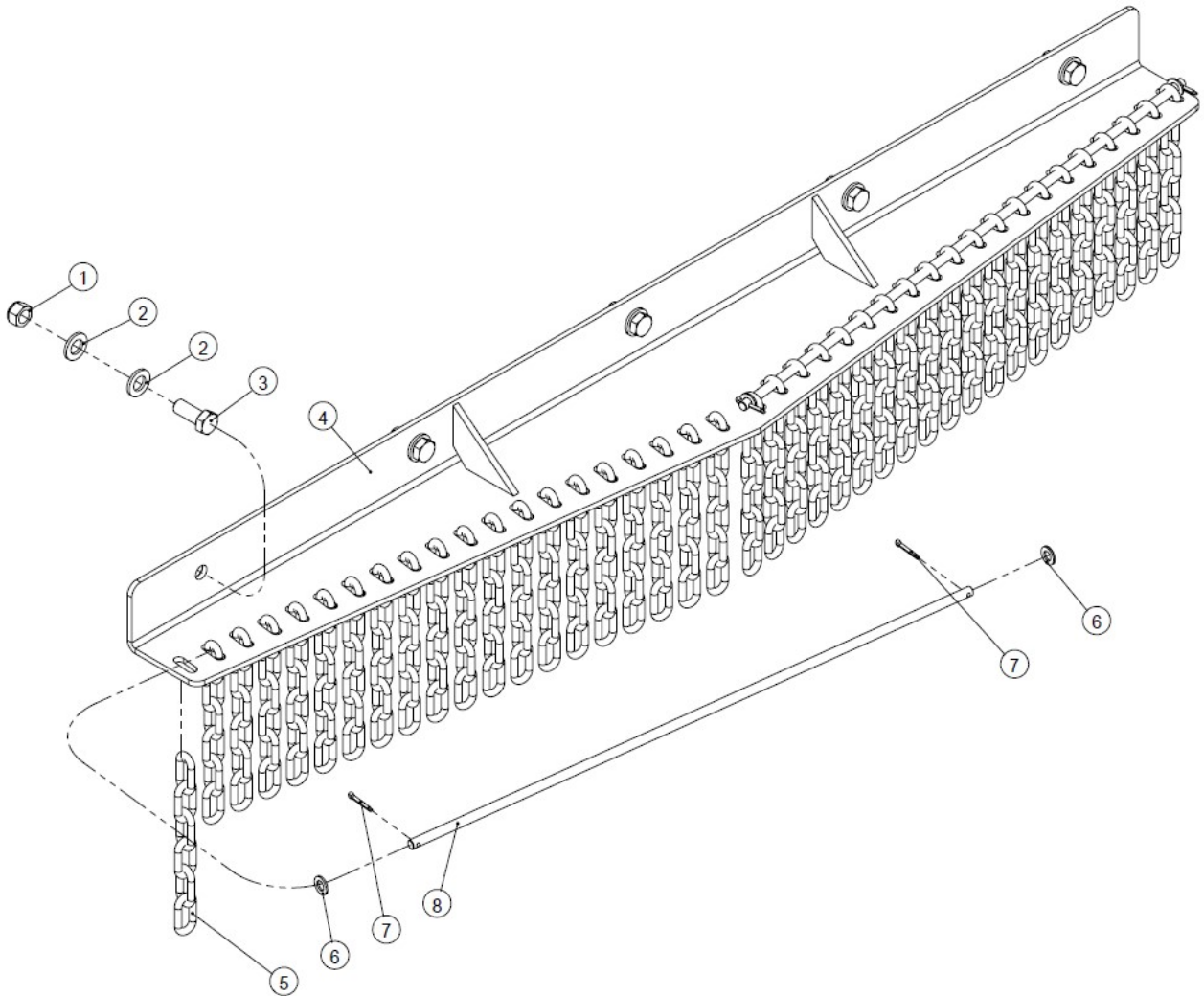


KEY	PART #	DESCRIPTION	QTY.
1	GB/T 889.1-2000	NUT M22 X 1.5 NYLOC	2
2	GB/T 95-2002	WASHER M22 X 39 X 3 FLAT	2
3	STBFM03-020	BLADE MOUNT WELDMENT	1
4	GB/T 889.1-2000	NUT M14 X 1.5 NYLOC	2
5	GB/T 95-2002	WASHER M14 X 28 X 2.8 FLAT	2
6	STBFM03.205	BLADE ROUGH CUT MOWER	2
7	STBFM03-127	BUSHING BLADE MOUNT	2
8	STBFM03-105	BOTTOM BRACE BLADE MOUNT	1
9	GB/T 5783-2000	BOLT M22 X 70 HEX	2
10	GB/T 5782-2000	BOLT M14 X 60 HEX	2



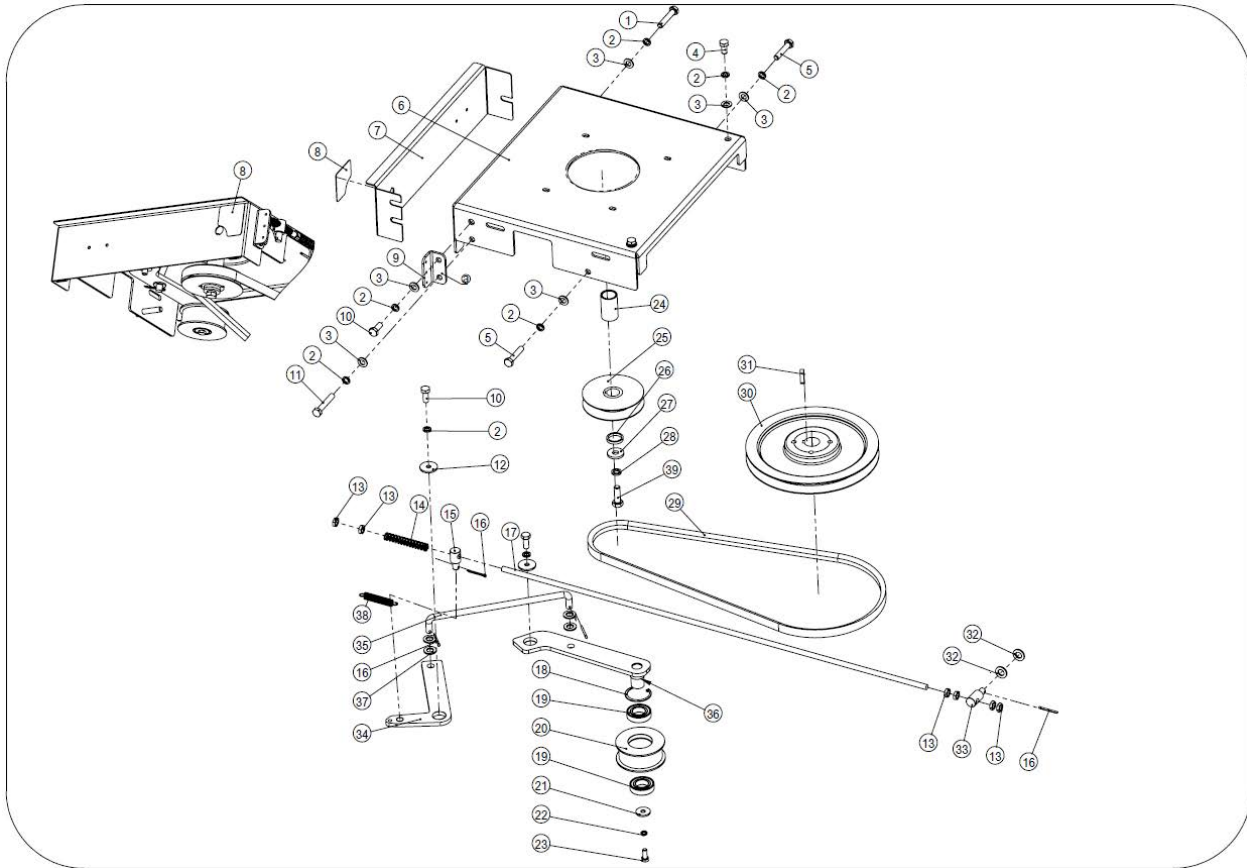
KEY	PART #	DESCRIPTION	QTY.
1	ATV120-106	WHEEL CAP	1
2	GB/T 5783-2000	BOLT M12 X 1.75 X 30 HEX	1
3	GB/T 93-1987	WASHER M12 SPRING LOCK	1
4	GB/T 5287-2002	WASHER M12 X 37 X 3 FLAT	1
5	GB/T 276-94	Deep groove ball bearing 6205-2Z	2
6	16*6.5-8	WHEEL AND TIRE ASSEMBLY	1
7	GB/T 5783-2000	BOLT M8 X 1.25 X 20 HEX	1
8	GB/T 95-2002	WASHER M8 SPRING LOCK	1
9	STBFM03-117	BUSHING RETAINER	1
10	GB/T 93-1987	Spring cushion 8	2
11	GB/T 95-2002	Flat washer 8×1.6	2
12	GB/T 889.1-2000	NUT M8 NYLOC	9
13	STBFM03.212	T-shaped handle	1
14	STBFM03-110	Screw cap	1
15	STBFM03.214	Press spring 2	1
16	STBFM03-03-101	Positioning pin shaft	1
17	STBFM03-024	Wheel frame weldment left	1
18	STBFM03-102	Nylon gasket	1
19	GB/T 70.1-2000	Hexagon socket head cap screws M8×30	2
20	STBFM03-03-010	Wheel adjustment weldment left	1
21	GB/T 5783-2000	Hexagon head bolt full thread M8×25	7
22	GB/T 96.2-2002	large series product grade c	14
23	GB/T 5783-2000	Hexagon head bolt full thread M10×55	1
24	GB/T 95-2002	Flat washer 10×2	2
25	GB/T 889.1-2000	Hexagon lock nut M10	1
26	STBFM03-112	Wheel shaft spacer	1

ILLUSTRATED PARTS BREAKDOWN - Brush Guards Group



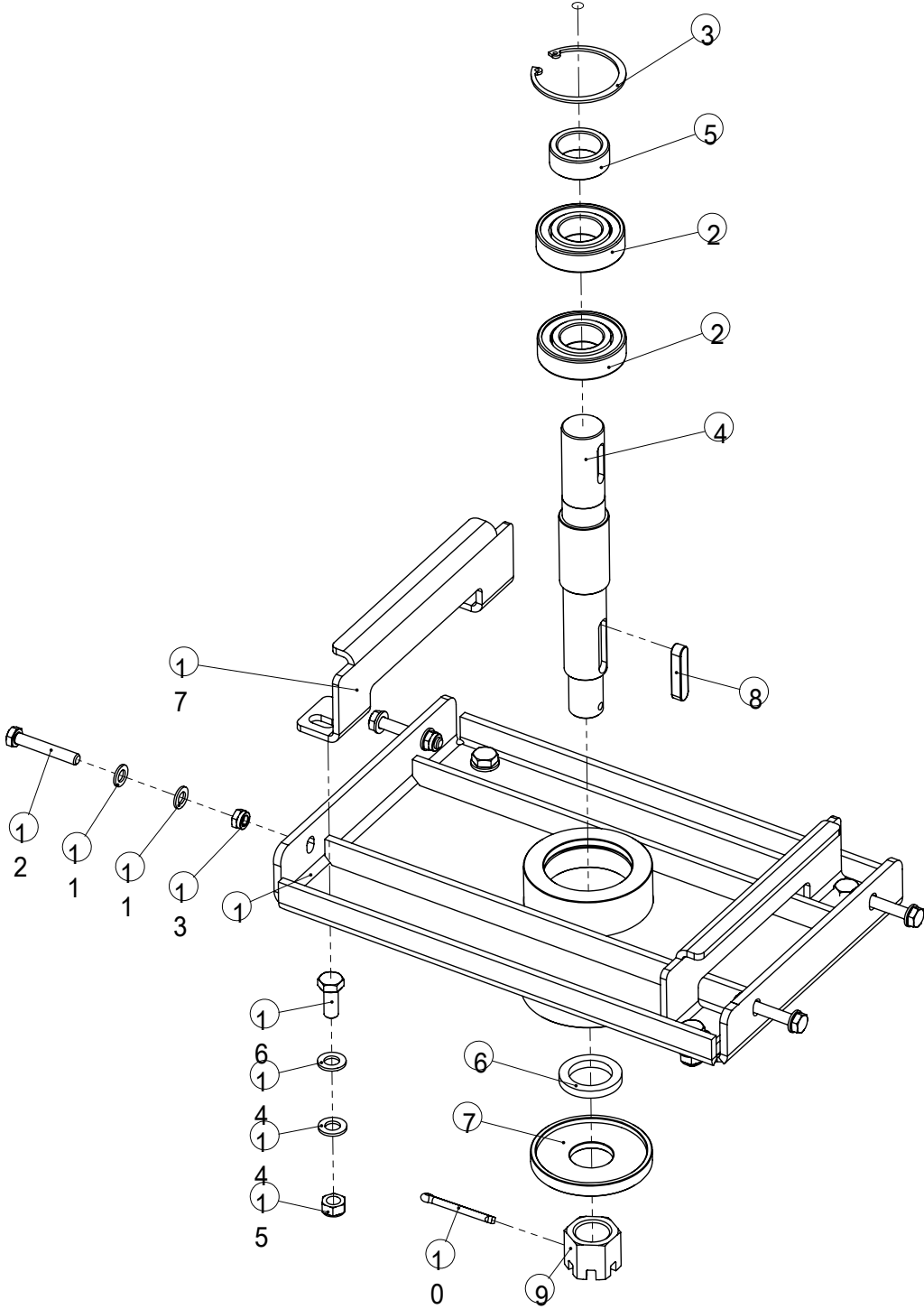
KEY	PART #	DESCRIPTION	QTY.
1	GB/T 889.1-2000	NUT M12 NYLOC	5
2	GB/T 95-2002	WASHER M12 X 24 X 2.5 FLAT	10
3	GB/T 5783-2000	BOLT M12 X 1.75 X 30 HEX	5
4	STBFM03-012	BRUSH GUARD TOW BAR SIDE	1
5	R.OS/J225-OS-126	CHAIN ASSEMBLY	40
6	GB/T 95-2002	WASHER M8 X 16 X 1.6 FLAT	4
7	GB/T 91-2000	COTTER PIN	4
8	STBFM03-118	ROD CHAIN MOUNT	2

ILLUSTRATED PARTS BREAKDOWN - Engine Mount Group



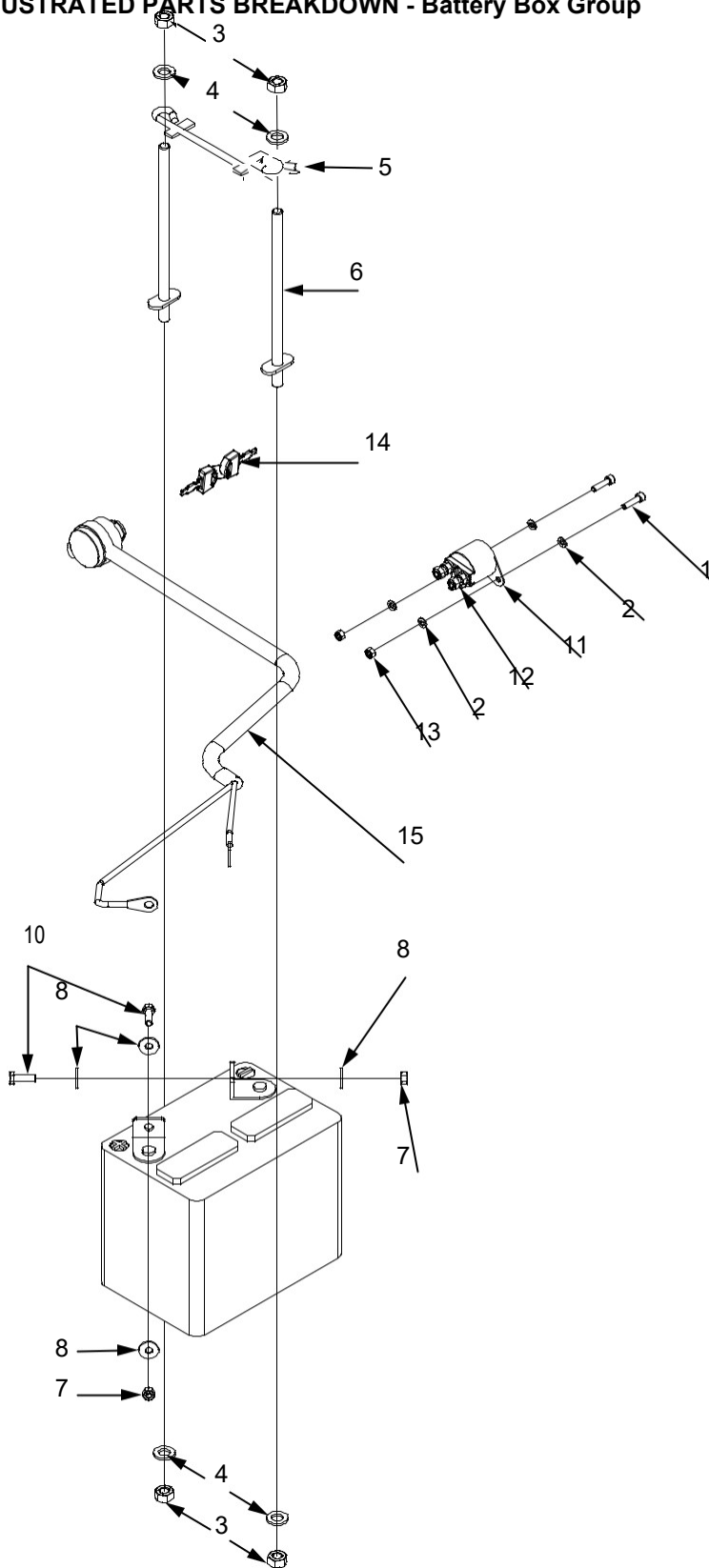
KEY	PART	DESCRIPTION	QTY.
1	GB/T 5783-2000	Hexagon head bolt full thread M10 × 55	1
2	GB/T 93-1987	Spring pad 10	9
3	GB/T95-10-EP·Zn	Flat washer	7
4	GB/T 5783-2000	Hexagon head bolt full thread M10 × 20	2
5	GB/T 5783-2000	Hexagon head bolt full thread M10 × 50	2
6	STBFM03-06-010	Engine seat weldment	1
7	STBFM03-06-101	Switch panel	1
8	23545	G. Atv120 special sticker	1
9	STBFM03-06-102	Spring pull plate	1
10	GB/T 5783-2000	Hexagon head bolt full thread M10 × 25	3
11	GB/T 5783-2000	Hexagon head bolt full thread M10 × 60	1
12	GB/T 5287-2002	Extra large washer 10 × 3	2
13	GB/T 6172.1-2000	Hexagon thin nut M10	6
14	STBFM03-06-105	pull-rod spring	1
KEY	PART	DESCRIPTION	QTY.

15	G.AT120-121	Joint	1
16	GB/T 91-2000	Split pin 3.2 × 32	4
17	STBFM03-06-104	Pull rod	1
18	GB 893.1-86	Circlip for hole type a 47	1
19	GB/T 276-94	Deep groove ball bearing 6005-2rz	2
20	G.AT120-115	Tension wheel	1
21	GB/T 5287-2002	Extra large washer 8 × 3	1
22	GB/T 93-1987	Spring pad 8	1
23	GB/T 5783-2000	Hexagon head bolt full thread M8 × 2	1
24	G.AT120-119	M8 × 2 engine spacer	1
25	G.AT120.202	Small pulley	1
26	STBFM03-06-103	Spacer sleeve	1
27	STBFM03-06-107	Shim	1
28	GB/T 93-1987	Spring pad 12	1
29	GATES 皮帶	5LXA1469	1
30	G.AT120.201	Large pulley	1
31	GB/T 1096-2003	Ordinary flat key type a 8 × 7 × 32	1
32	GB/T 95-2002	Flat washer 12 × 2.5	2
33	STBFM03-06-106	Joint	1
34	STBFM03-06-109	Tension wheel support plate connection	1
35	STBFM03-06-108	connecting rod	1
36	STBFM03-06-030	Welding part of tension wheel bracket	1
37	GB/T95-12-EP·Zn	Flat washer	4
38	G.AT120.211	Drag spring	1
39	7/16-20*30	Hexagon bolt 7 / 16-20 * 30	1



POS.	COD.	Specification	Description	Qty
1	2020001097	STBFM03-015	Transmission shaft fixing base	1
2	3100100036	GB/T 276-94	Deep groove ball bearing 6206-2RZ D=62 d=30 B=16	2
3	3080600038	GB 893.1-86	Circlip for hole-type A 62	1
4	2000000924	STBFM03-07-102	Cutter shaft	1
5	2010000668	STBFM03-07-101	Pulley spacer	1
6	2000000925	STBFM03-07-103	Spacer sleeve	1
7	2010000390	STBFM03-106	Bearing cap	1
8	3090100010	GB / T1096-2003	Square and rectangular key 10×45	1
9	3050800012	GB/T 9459-1988	Hexagon thin slotted nut M24×2	1
10	3120100108	GB/T 91-2000	Split pin 5*45	1
11	3080100004	GB/T 95-2002	Plain washer 8×1.6	8
12	3040100029	GB/T 5783-2000	Hexagon head bolt-Full thread M8×50	4
13	3050500003	GB/T 889.1-2000	Locknut M8	4
14	3080100006	GB/T95-10-EP•Zn	Plain washer	8
15	3050500004	GB/T889.1-M10-8- EP•Zn	Locknut	4
16	3040100043	GB/T 5783-2000	Hexagon head bolt-Full thread M10×25	4
17	2000004912	STBFM03-07-014	Cover plate support plate	2

ILLUSTRATED PARTS BREAKDOWN - Battery Box Group



Rough Cut Mower

KEY	PART #	DESCRIPTION	QTY.	KEY	PART #	DESCRIPTION	QTY.
1	STBFM03-01-011	DECK	1	12	GB/T 5783-2000	BOLT M8 X 44 X 4.6 FLAT	1
2	STBFM03-015	ASSEMBLY DRIVE SHAFT MOWER	1	13	GB/T 889.1-2000	NUT M8 1.0 HSF	5
3	STBFM03-104	WHEEL GUARD GAS TANK SIDE	1	14	GB/T 95-2002	WASHER M8 8.4 X 16 X 1.6 FLAT	10
4	STBFM03-103	WHEEL GUARD BATTERY SIDE	1	15	GB/T 95-2002	PIVOT BRAKE ARM	1
5	GB/T 9459-1988	M24 CASTLE NUT	1	16	STBFM03-027	ASSEMBLY DRIVE BRAKE	1
6	STBFM03-07-102	PIN COTTER 4 X 44MM LONG	1	17	GB/T 5783-2000	BOLT M10 X 1.5 X 45	1
7	GB / T1096-2003	KEY 45 X 8 X 10 MM X 5 RADIUS	1	18	GB/T 5783-2000	BOLT M8 X 1.25 35 HEX	1
8	GB/T 95-2002	WASHER M10 X 20 X 2 FLAT	20	19	STBFM03-01-012	ASSEMBLY CAM	1
9	GB/T 5783-2000	BOLT M10 X 1.5 X 30 HEX HEAD	10	20	STBFM03-01-102	CAM ROD BRACKET	1
10	GB/T 889.1-2000	NUT M10 HNYLK	11	21	STBFM03-01-105	BRAKE SPRING	1
11	STBFM03-07-103	WASHER M24 X 44 X 4.6 FLAT	1	22	GB/T 882-88	BRAKE PIN	1