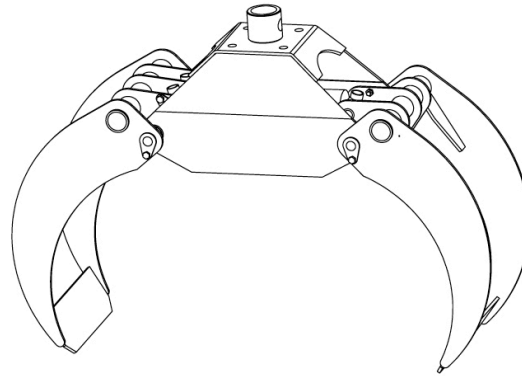
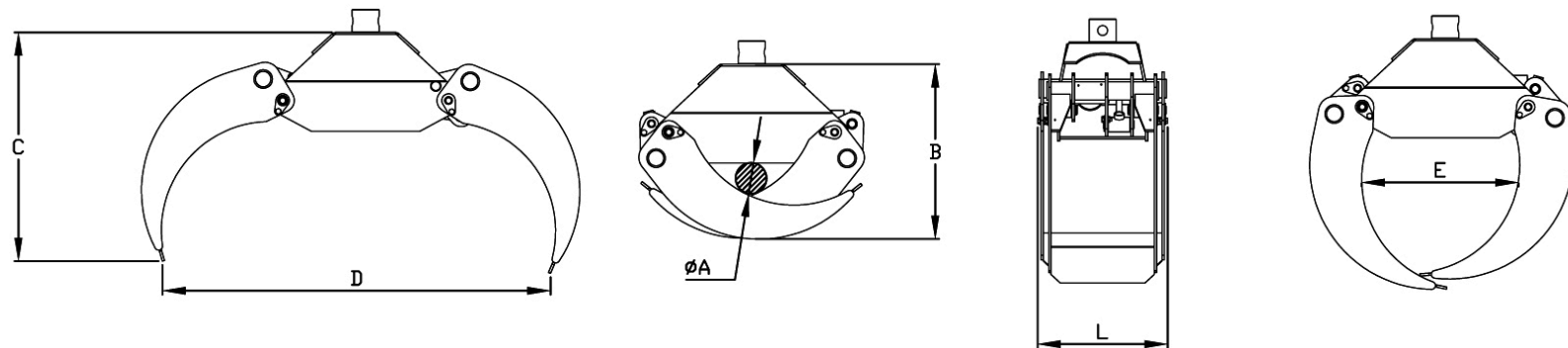


Skovklo FHZD100 specifikationer



Model	Weight	Area	Pressure	Lifting cap.	Dimensions mm						Ton
					A	B	C	D	E	L	
ZD100	68	0.18	MAX200	500	80	450	590	1000	410	335	1



DK·TEC