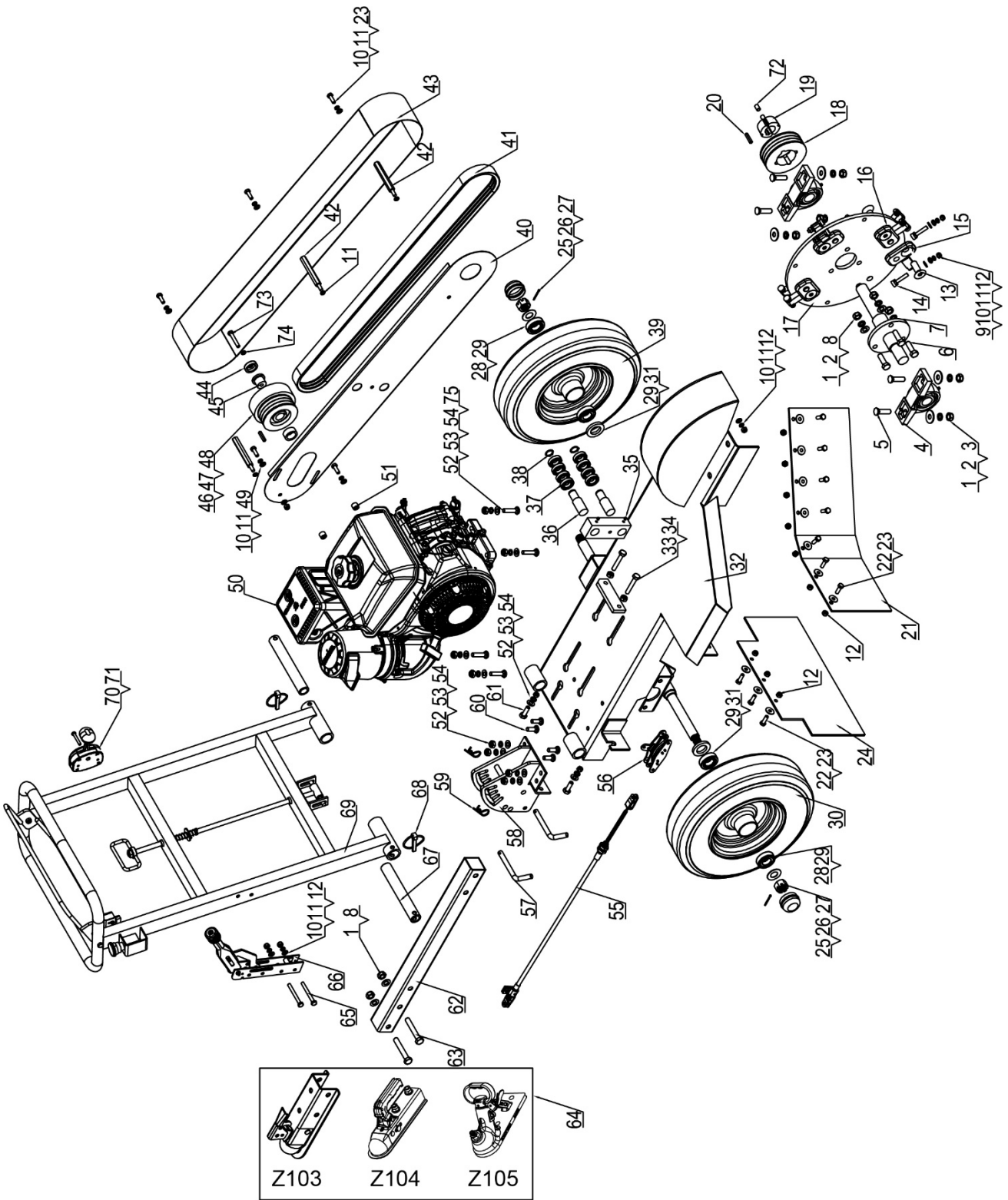


PARTS DRAWING



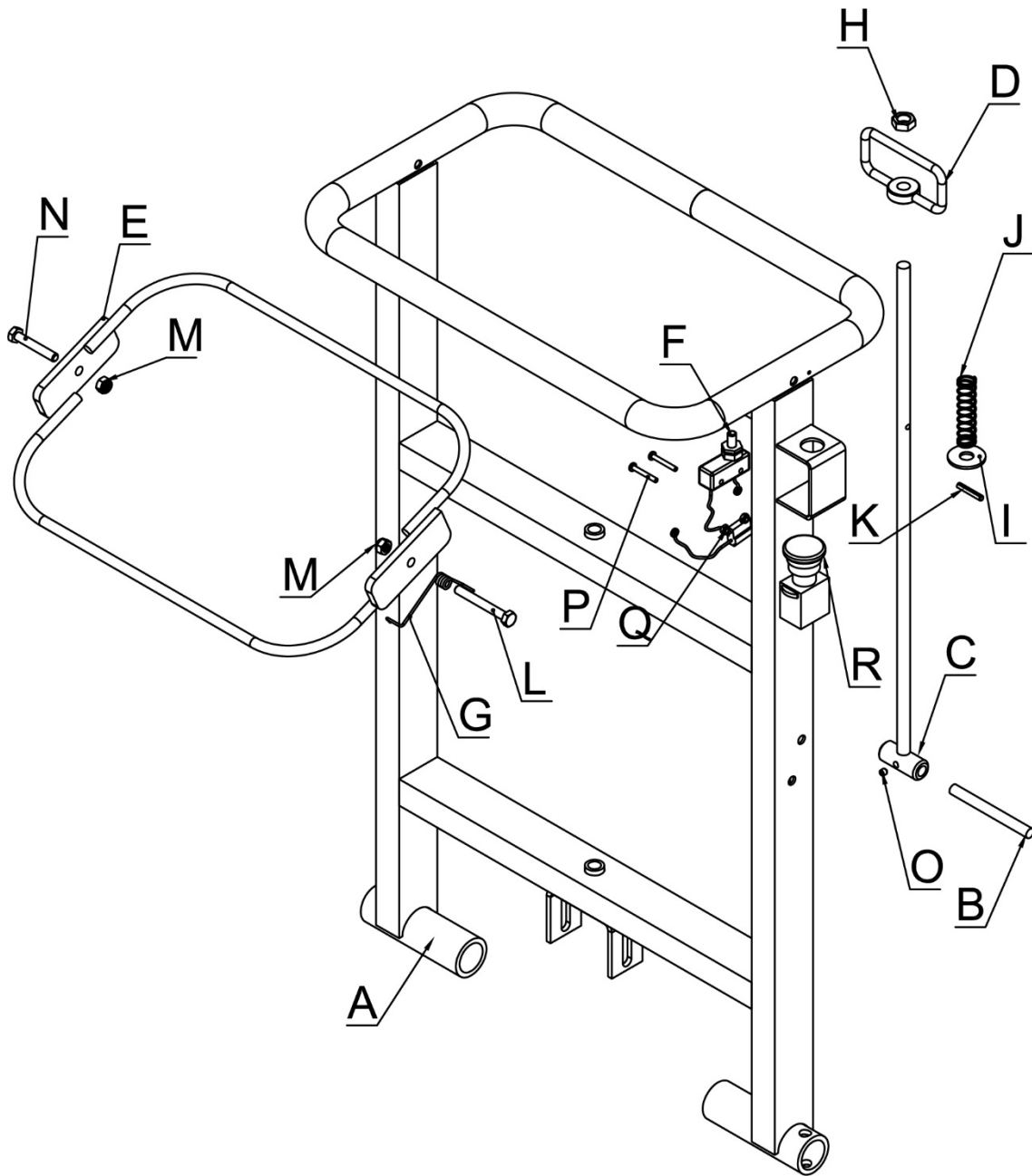
PARTS LIST

Ref#	Drawing No.	Description	Qty
1	9206-12000-DX	Nylon Lock Nut M12	9
2	9306-12000-DX	Lock Washer Ø12	7
3	9302-12000-DX	Large Flat Washer Ø12	4
4	XZ0300-00013	Bearing	2
5	9114-12045-DX8.8	Carriage Bolt M12x45	4
6	9101-12040-DX8.8	Hex Bolt M12x40	3
7	XZ0300-03000	Cutter Disc	1
8	9301-12000-DX	Flat Washer Ø12	5
9	XZ0300-00006-DX	Gasket	8
10	9301-08000-DX	Flat Washer Ø8	17
11	9306-08000-DX	Lock Washer Ø8	20
12	9206-08000-DX	Nylon Lock Nut M8	22
13	9103-16045-DX8.8	Inner Hex Socket Screw M16x45	8
14	XZ0300-00005	Cutter Head	8
15	XZ0300-04000	Oblique Cutter Head Seat Weldment	4
16	XZ0300-05000	Straight Cutter Head Seat Weldment	4
17	XZ0300-00001	Cutter Disc	1
18	XZ0300-00002	Belt Pulley	1
19	XZ0300-00003	Belt Pulley Locking Sleeve	1
20	8801-10x8x40	Flat Key 10x8x40	1
21	XZ0300-00007	Front Flap	1
22	9302-08000-DX	Large Flat Washer Ø8	10
23	9101-08020-DX8.8	Hex Bolt M8x20	13
24	XZ0300-00008	Rear Flap	1
25	LSP25-00009-DX	Wheel Axle Cover	2
26	9404-04036-DX	Cotter Pin Ø4x36	2
27	LSP25-00020-FH	Hex Slotted Thin Nut M20	2
28	9301-20000-DX	Flat Washer Ø20	2
29	L44643	Tapered Roller Bearing	2
30	XZ0300-02000	Wheel	1
31	LSP25-14002	Oil Seal	2
32	XZ0300-01000	Frame Weldment	1
33	9101-10060-DX8.8	Hex Bolt M10x60	2
34	9202-10000-DX	Hex Nut M10	2
35	9121-06010-FH	Inner Hex End Setting Screw M6x10	2
36	XZ0300-00010	Tensioning Wheel	2
37	61904	Deep Groove Bearing	8

PARTS LIST

Ref#	Drawing No.	Description	Qty
38	9304-20000-FH	Steel Wire	2
39	LSP25-14000	Wheel	1
40	XZ0300-00009	Inner Belt Guard	1
41	3R/3V1853	9J Combined Narrow V Belt	1
42	XZ0300-00015-DX	Belt Cover Fixed Rod	3
43	XZ0300-06000	Belt Cover	1
44	XZ0300-00014 / N030-00010-DX	Centrifugal Clutch Shaft Sleeve	1
46	N030-00009-DX	Centrifugal Clutch Bushing (suit for engine shaft sized 25 mm)	1
47	N030-13000	Clutch	1
48	/	Flat Key	1
49	/	Hex Bolt	2
50	/	Engine	1
51	XZ0300-00004	Gasket	2
52	9206-10000-DX	Nylon Lock Nut M10	10
53	9306-10000-DX	Lock Washer Ø10	10
54	9301-10000-DX	Flat Washer Ø10	10
55	N030-07000	Brake Cable Assembly	1
56	N030-09000	Brake Tensioner	1
57	N590-00005	Hitch Pin	2
58	XZ0300-08000	Adjusting Seat Weldment	1
59	N280-00047-DX	R Pin	2
60	9114-10030-DX8.8	Carriage Bolt M10x30	4
61	9101-10030-DX8.8	Hex Bolt M10x30	2
62	XZ0300-00011	Tow Bar	1
63	9101-12080-DX8.8	Hex Bolt M12x80	2
64	Z103 / Z104 / Z105	Coupler	1
65	9101-08075-DX8.8	Hex Bolt M8x75	2
66	N030-03000	Brake Lever	1
67	XZ0300-00012	Axis of Rotation	2
68	Z120-00003-CD	O Lock Ring	2
69	XZ0300-07000	Handle Assembly	1
70	TS6100-00029	Throttle Control Handle	1
71	9101-06040-DX8.8	Hex Bolt M6x40	1
72	9109-10016-FH12.9	Hex Socket Set Screw M10x16	2
73	/	Hex Bolt	1
74	/	Lock Washer	1
75	9114-10045-DX8.8	Carriage Bolt M10x45	4

PARTS DRAWING



PARTS LIST

Ref#	Drawing No.	Description	Qty
A	XZ0300-07100	Operation Handle	1
B	XZ0300-07001	Locating Rod	1
C	XZ0300-07200	Positioning Rod	1
D	XZ0300-07300	Pull Handle	1
E	XZ0300-07400	Safety Lever	1
F	XZ0300-07004	Emergency Stop Button	1
G	XZ0300-07002	Torsional Spring	1
H	9201-12000-DX	Hex Nut M12	1
I	9302-12000-DX	Large Flat Washer Ø12	1
J	XZ0300-07003	Pressure Spring	1
K	9402-05030-FH	Elastic Cylindrical Pin	1
L	9101-08065-DX8.8	Hex Bolt M8x65	1
M	9206-08000-DX	Nylon Lock Nut M8	2
N	9101-08050-DX8.8	Hex Bolt M8x50	1
O	9121-06006-FH	Screw M6x6	1
P	9110-04030-DX	Screw M4x30	2
Q	9206-04000-DX	Nylon Lock Nut M4	2
R	XZ0300-07005	Engine Switch	1