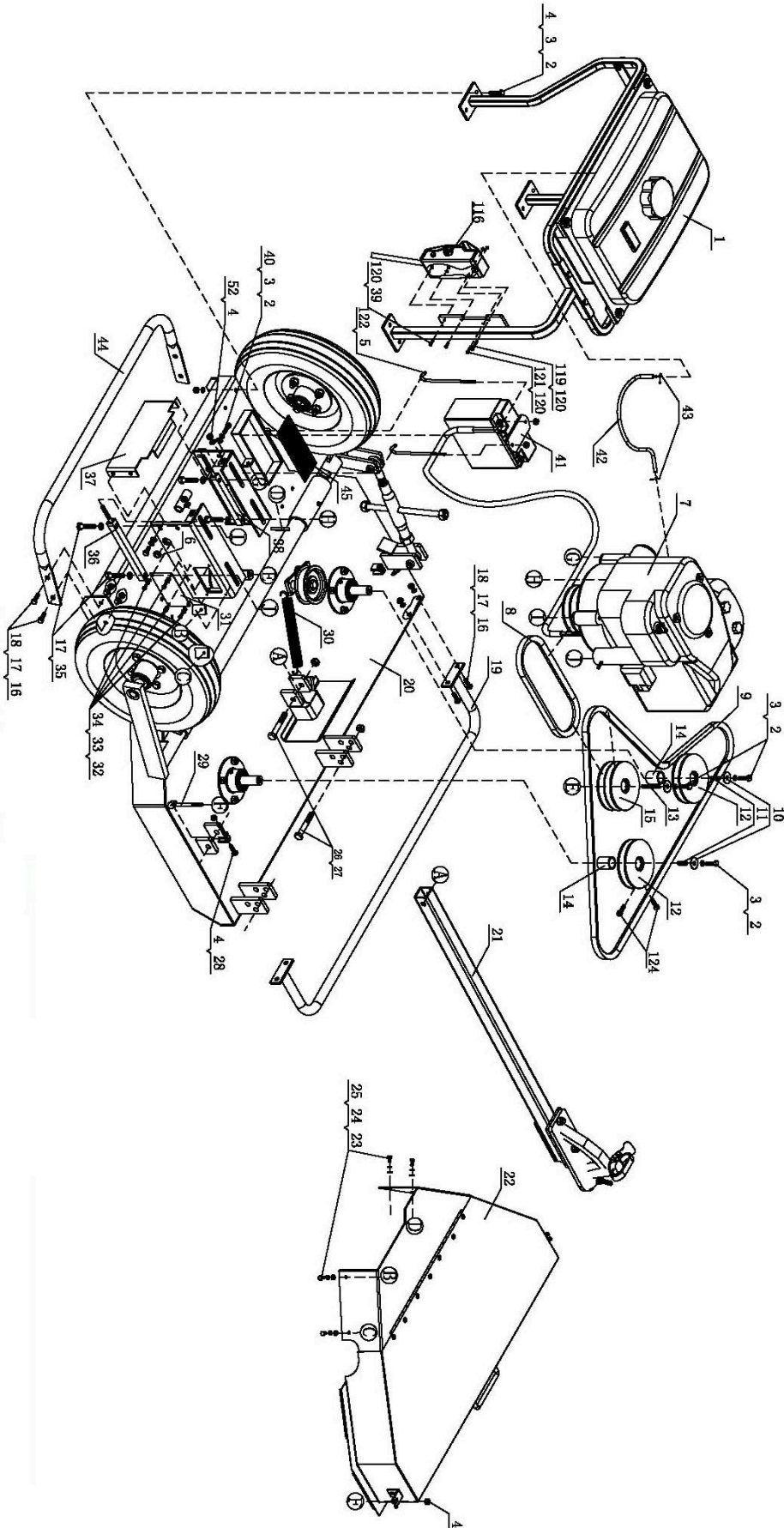
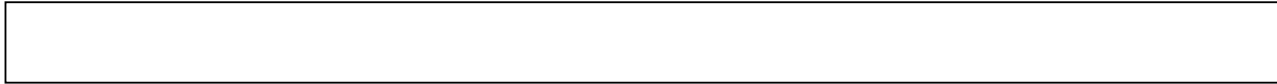


Parts Drawing & Parts List



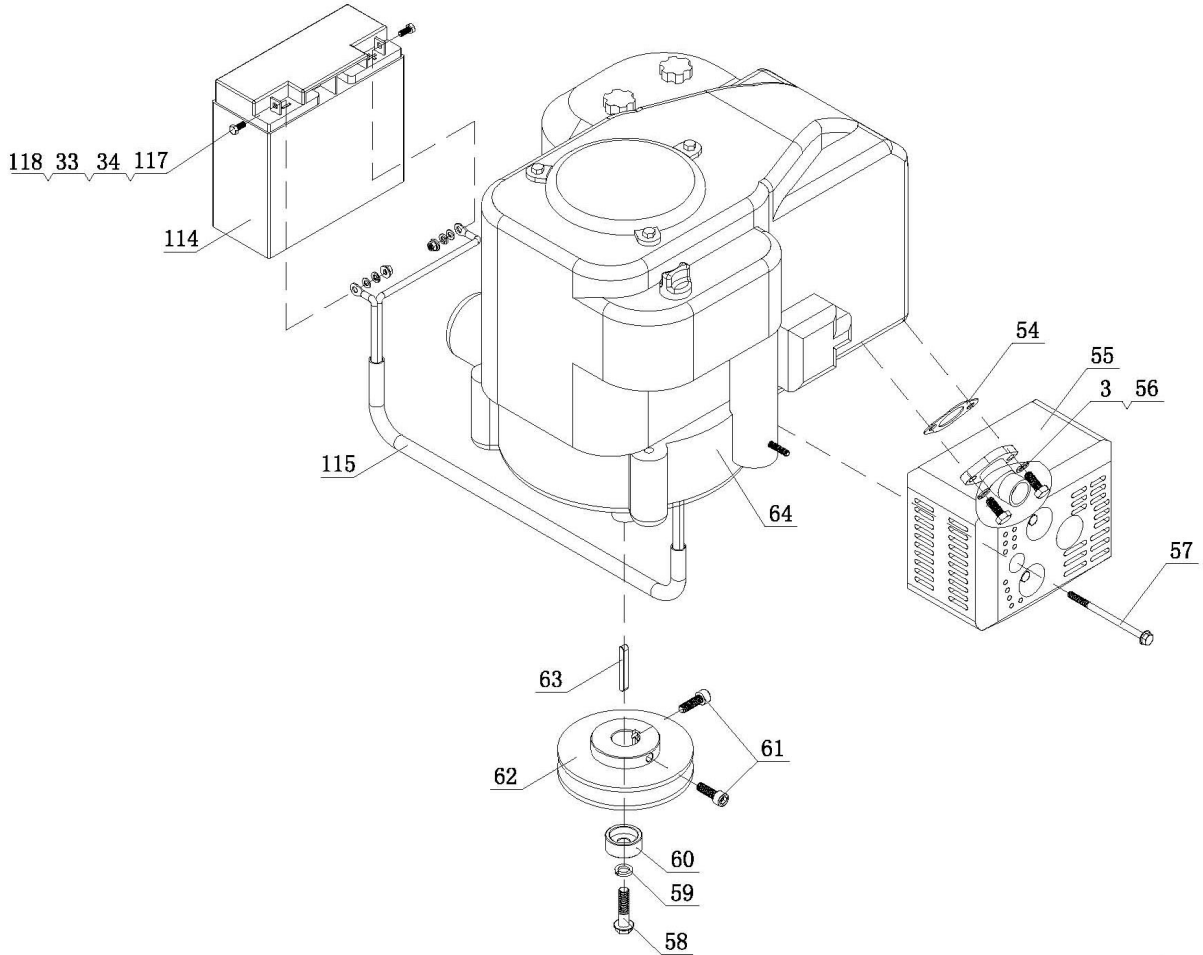
Parts Drawing & Parts List



Part #	Description	QTY	Part #	Description	QTY
1	Oil Tank Assembly	1	27	Nylon Lock Nut M12	2
2	Hex Bolt M8x25	9	28	Hex Bolt M8x30 (8.8)	2
3	Lock Washer Ø8	13	29	Hook	2
4	Nylon Lock Nut M8	12	30	Spring	1
5	Battery Hook	2	31	Side Plate	2
6	Rubber Bushing	2	32	Hex Bolt M5x12	8
7	Engine	1	33	Lock Washer Ø5	8
8	SPB686 Angle Belt	1	34	Flat Washer Ø5	8
9	SPB2182 Angel Belt	1	35	Hex Bolt M10x45	4
10	Belt Pulley Washer A	3	36	Adjustable Plate B	1
11	Belt Pulley Flat Key A	2	37	Back Plate	1
12	Blade Belt Pulley A	2	38	Adjustable Plate A	1
13	Belt Pulley Flat Key B	1	39	Hex Bolt M5x20	4
14	Blade Retainer A	2	40	Flat Washer Ø8	2
15	Blade Belt Pulley B	1	41	Battery Press Plate	1
16	Hex Bolt M10x25 (8.8)	8	42	Hydraulic Hose (350mm)	1
17	Lock Washer Ø10	12	43	Hose Clamp	2
18	Nylon Lock Nut M10	8	44	Safety Rod Back	1
19	Safety Rod Front	1	45	Rubber Plate for Battery	1
20	Base Frame	1	52	Flat Washer Ø8	2
21	Tow Bar Assembly	1	116	Electric Start Switch	1
22	Protect Cover	1	119	Hex Bolt M5x35	1
23	Hex Bolt M6x16 (8.8)	4	120	Nylock Nut M5	4
24	Lock Washer Ø6	4	121	Hex Bolt M5x25	1
25	Flat Washer Ø6	4	122	Nylock Nut M6	2
26	Hex Bolt M12x80 (8.8)	2	124	Socket Hex Set Screw M8x25	6

Parts Drawing & Parts List

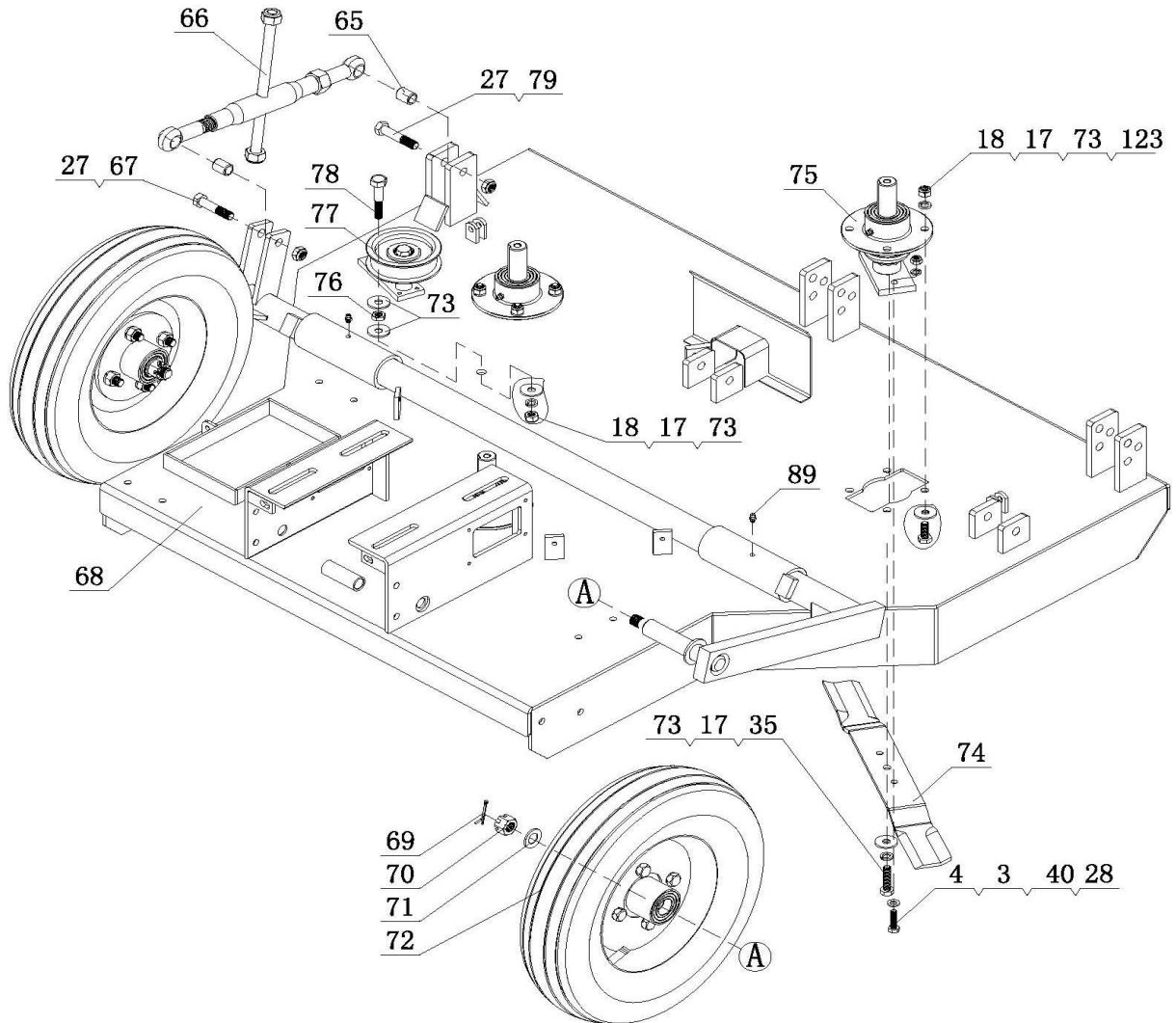
ENGINE



Part #	Description	QTY	Part #	Description	QTY
3	Lock Washer Ø8	2	61	Inner Hex Screw M8x25	2
33	Lock Washer Ø5	2	62	Blade Belt Pulley C	1
34	Flat Washer Ø5	2	63	Belt Pulley Flat Key C	1
54	Washer	1	64	Engine 16HP	1
55	Muffler	1	114	12V Battery	1
56	Hex Bolt 5/16"x1"	2	115	Wire	1
57	Flange Bolt M6x120	1	117	Hex Bolt M5x16	2
58	Flange Bolt 7/16x40	1	118	Flange Nut M5	2
59	Lock Washer Ø12	1			
60	Engine Bushing	1			

Parts Drawing & Parts List

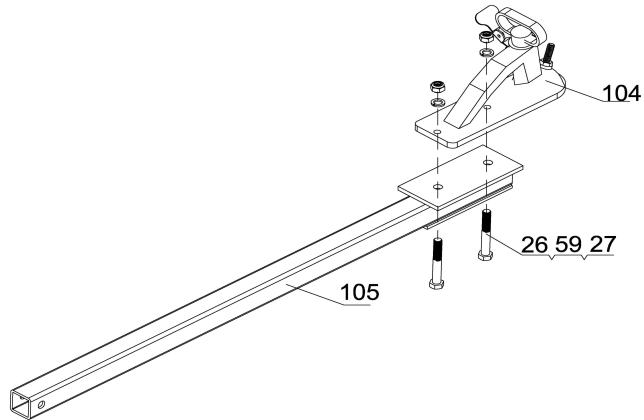
BASE FRAME



Part #	Description	QTY	Part #	Description	QTY
3	Lock Washer Ø8	6	69	Cotter Pin Ø4x40	2
4	Nylon Lock Nut M8	6	70	Slotted Nut M16X1.5	2
123	Hex Bolt M10x30	12	71	Flat Washer Ø16	2
17	Lock Washer Ø10	16	72	Wheel	2
18	Nylon Lock Nut M10	13	73	Big Flat Washer Ø10	18
27	Nylon Lock Nut M12	2	74	Blade	3
28	Hex Bolt M8x30	6	75	Blade Base	3
35	Hex Bolt M10x45	3	76	Hex Nut M10	1
40	Flat Washer Ø8	6	77	Tension Pulley	1
65	Bushing	2	78	Connect Bolt	1
66	Adjustable Handle	1	79	Hex Bolt M12x60	1
67	Hex Bolt M12x55	1	89	Oil Cup M6	2
68	Base Frame	1			

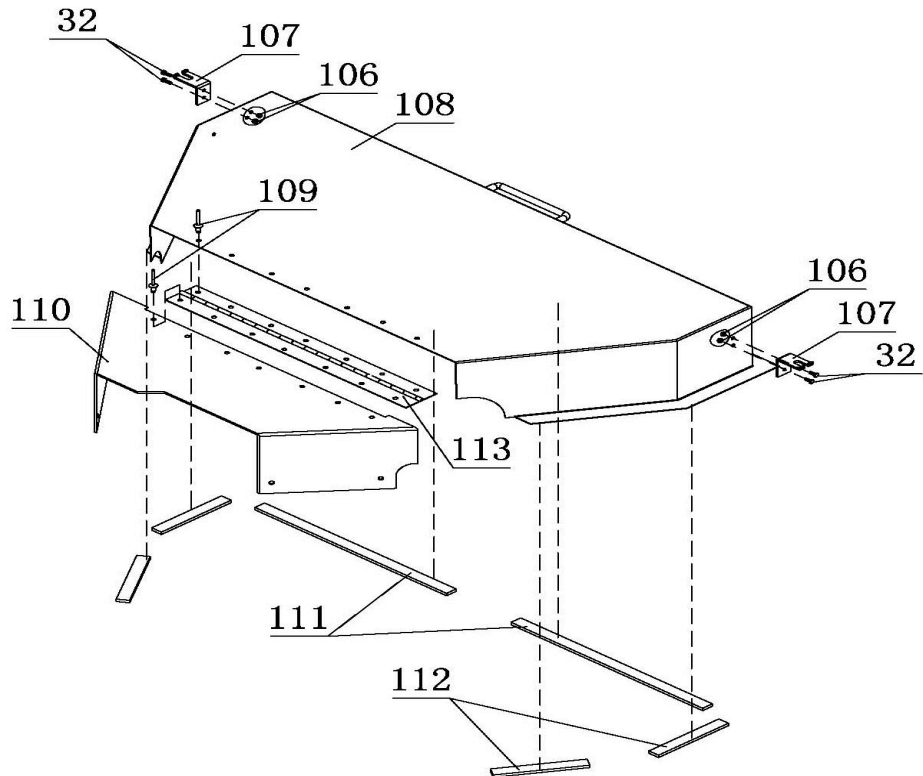
Parts Drawing & Parts List

TOW BAR



Part #	Description	QTY	Part #	Description	QTY
26	Hex Bolt M12x80	2	104	Cast Coupler	1
27	Nylon Lock Nut M12	2	105	Tow Bar	1
59	Lock Washer Ø12	2			

PROTECT COVER

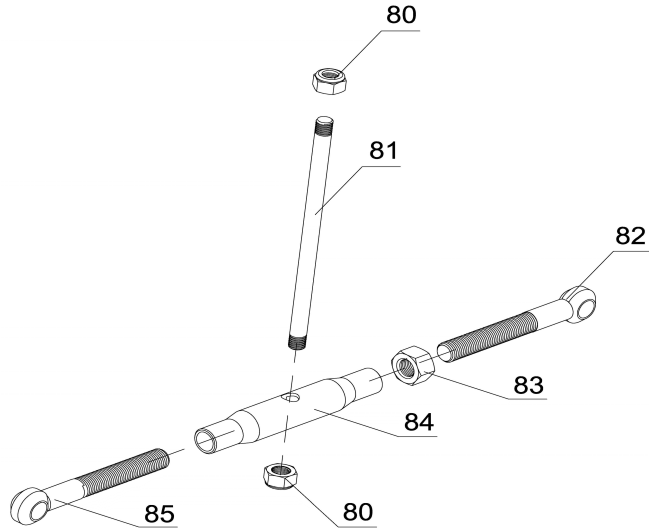


Part #	Description	QTY	Part #	Description	QTY
32	Hex Bolt M5x12	4	110	Belt Pulley Cover	1
106	Nylock Nut M5	4	111	Shock Pad Long	2
107	Turn Clip	2	112	Shock Pad Short	4
108	Protect Cover	1	113	Hinge	1
109	Rivet Ø16x12	14			

Parts Drawing & Parts List

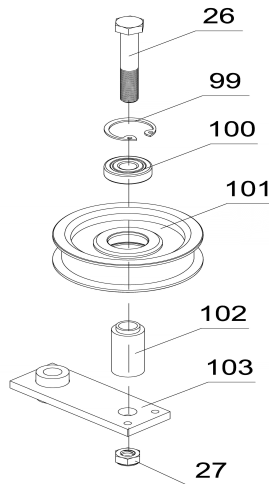


ADJUSTABLE BLADE HANDLE



Part #	Description	QTY	Part #	Description	QTY
80	Nylon Lock Nut M14	2	83	Hex Nut M20	1
81	Adjustable Handle	1	84	Adjustable Rod (middle)	1
82	Adjustable Rod A	1	85	Adjustable Rod B	1

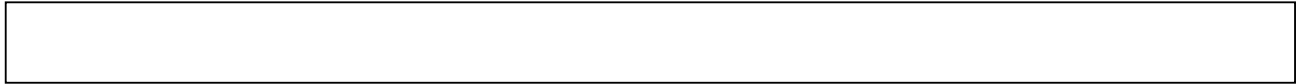
TENSION BELT PULLEY



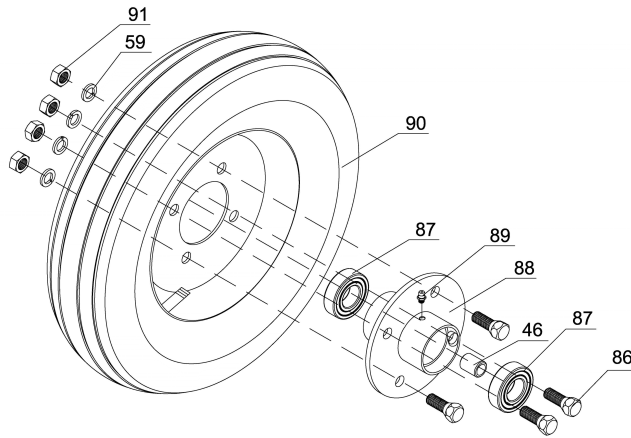
Part #	Description	QTY	Part #	Description	QTY
26	Hex Bolt M12x80	1	101	Tension Pulley	1
27	Nylon Lock Nut M12	1	102	Support Rod A	1
99	Spring Retainer A Ø32	1	103	Support Rod B	1

Parts Drawing & Parts List

100	6201 Deep Hook Ball Bearing	1			
-----	-----------------------------	---	--	--	--

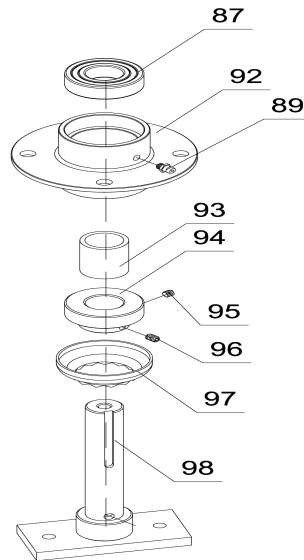


WHEEL



Part #	Description	QTY	Part #	Description	QTY
46	Middle Bushing	1	88	Flange Ring	1
59	Lock Washer Ø12	4	89	Oil Cup M6	1
86	Tapered Hex Bolt	4	90	Wheel	1
87	0205 Deep Hook Ball Bearing	2	91	Hex Nut M12	4

BLADE BASE



Part #	Description	QTY	Part #	Description	QTY
87	6205 Deep Hook Ball Bearing	1	95	Inner Hex Screw M6x6	1
89	Oil Cup M6	1	96	Inner Hex Screw M6x8	1
92	Flange Base	1	97	Dust Cover	1
93	Bearing Retainer A	1	98	Blade Base	1
94	SP205-16 Bearing	1			