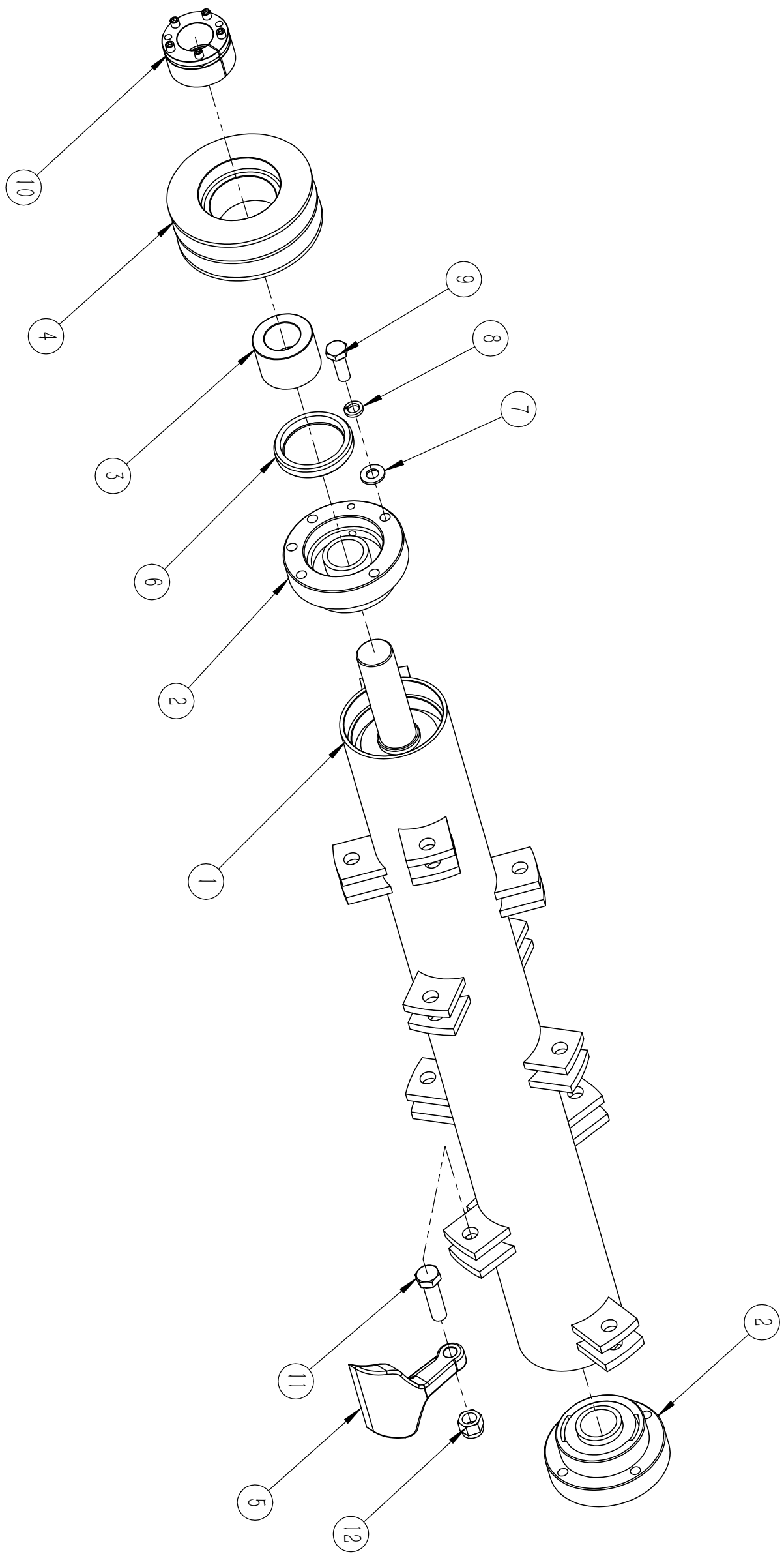


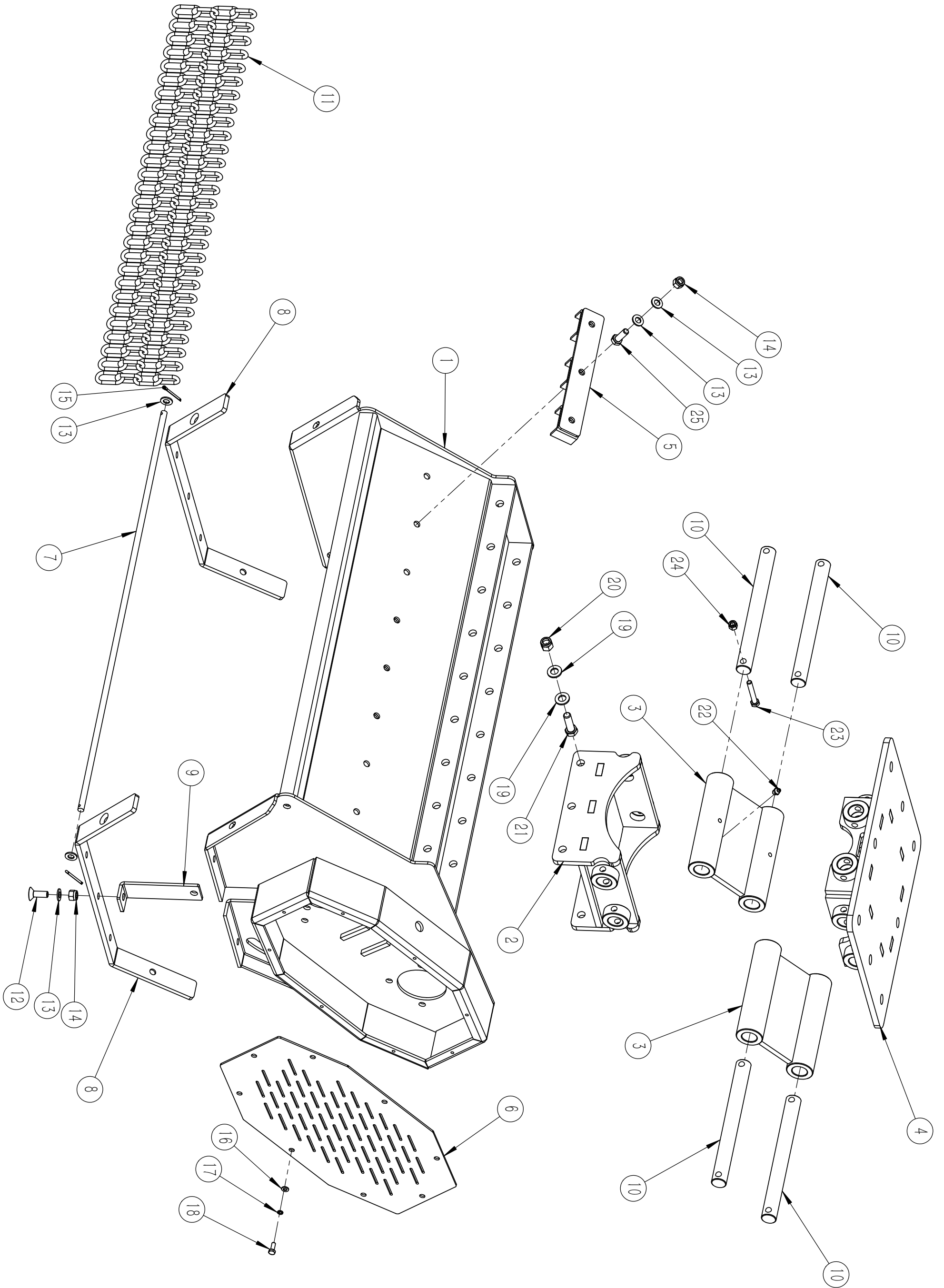
**DK·TEC**

SN	Parts NO.	Name & Description	Qty	Remarks
1	HEMF80-012	Cutting Deck	1	
2	HEMF80-013	Hydraulic Motor Seat	1	
3	HEMF80-015	Tension Wheel Bracket	1	
4	HEMF80-103	Hydraulic Motor Shaft	1	
5	HEMF80-106	Tension Wheel	1	
6	HEMF80-107	Tension Wheel Bracket Washer	2	
7	HEMF80-108	Tension Wheel Washer	1	
8	EF175-129-A	Big Pulley	1	
9	HEMF80-113	Small Pulley	1	
10	GB/T 276-94	Bearing 6207	2	
11	GB/T 13871.1-2007	Oil Seal 35×72×8	1	
12	JB/T7934-1999	Taper Loack	1	
13	GB/T1171-2006	Belts BX38	2	
14	GB/T 276-94	Bearing 6305-2Z	2	
15	GB/T 5782-2000	Hexagon Bolt M12×80	1	
16		Hydraulic Motor	1	
17	JB/T 7940.1-1995	Grease Nipple M8	1	
18	GB/T 97.1-2002	Plain Washer	1	
19	GB / T93-2000	Spring Washer 8	2	
20	GB/T 5783-2000	Bolt M8×30	1	
21	GB 893.2-86	Circlips For Hole 72	2	
22	GB 894.1-86	Circlips For Shaft	1	
23	GB/T 97.1-2002	Plain Washer 10	2	
24	GB/T 5783-2000	Hexagon Bolt M10×30	1	
25	GB/T 889.1-2000	Nylon Lock Nut M10	1	
26	GB/T93-2000	Spring Washer 12	1	
27	GB/T 5783-2000	Hexagon Bolt M12x30	1	
28	GB/T 6170-2000	Nut M12	2	
29	GB/T 5783-2000	Hexagon Bolt M8x16	1	



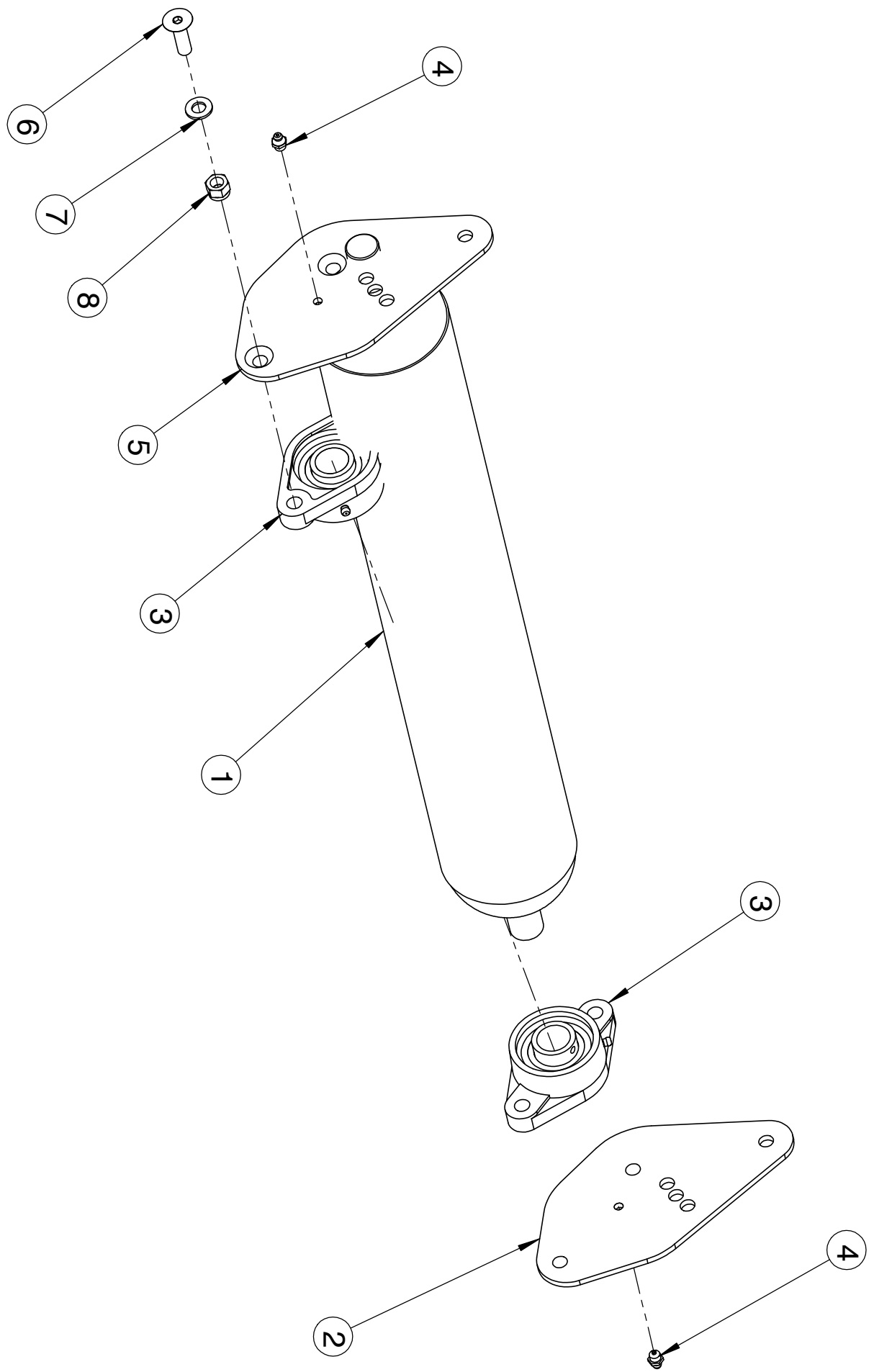
**DK·TEC**

SN	Parts NO.	Name & Description	Qty	Remarks
1	HEMF80-011	Rotor	1	
2		Rotor Bearing	2	
3	HEMF80-102	Rotor Bush	1	
4	HEMF80-113	Small Pulley	1	
5	BEL150-103	Hammer Blade	1	
6	GB/T 13871.1-2007	Oil Seal 50×65×10	1	
7	GB/T 97.1-2002	Plain Washer 10	1	
8	GB / T-2000	Spring Washer 10	1	
9	GB/T 5783-2000	Hexagon Bolt M10×30	1	
10	JB/T7934-1999	Taper Lock	1	
11	GB/T 5783-2000	Hexagon Bolts M12×45	1	
12	GB/T 889.1-2000	Nylon Nut M12	1	



**DK·TEC**

SN	Parts NO.	Name & Description	Qty	Remarks
1	HEMF80-012	Cutting Deck	1	
2	HEMF80-016	Bottom Swing Bracket	1	
3	HEMF80-017	Middle Swing Bracket	2	
4	HEMF80-018	Top Swing Bracket	1	
5	BEMH180-019	Counter Blade	2	
6	HEMF80-105	Belt Cover	1	
7	HEMF80-109	Chain Axle	1	
8	HEMF80-110	Skid Plate	2	
9	HEMF80-111	Protection Plate	1	
10	HEMF80-112	Swing Axle	4	
11		Chain	28	
12	GB/T 70.3-2000	Hexagon socket countersunk head screw M10×30	1	
13	GB/T 97.1-2002	Plain Washer 10	5	
14	GB/T 889.1-2000	Nylon Lock Nut M10	2	
15	GB/T 91-2000	Split Pin 3.2×32	2	
16	GB/T 97.1-2002	Plain Washer 6	1	
17	GB/T93-2000	Spring Washer 6	1	
18	GB/T 5783-2000	Hexagon Bolt M6×16	1	
19	GB/T 97.1-2002	Plain Washer 12	2	
20	GB/T 889.1-2000	Nylon Nut M12	1	
21	GB/T 5783-2000	Hexagon Bolt M12×40	1	
22	JB/T 7940.1-1995	Grease Nipple M8	1	
23	GB/T 5782-2000	Bolt M8×55	1	
24	GB/T 889.1-2000	Nylon Lock Nut M8	1	
25	GB/T 5783-2000	Hexagon Bolt M10×30	1	



**DK·TEC**

SN	Parts NO.	Name & Description	Qty	Remarks
1	HEMF80-014	Roller	1	
2	HEMF80-104	Roller Holder	1	
3	GB/T 7810-1995	Bearing UCFLU205	2	
4	JB/T 7940.1-1995	Grease Nipple M8	2	
5	HEMF80-104	Roller Holder	1	
6	GB/T 70.3-2000	Hexagon Socket Countersunk Head Screw M10×35	1	
7	GB/T 97.1-2002	Plain Washer 10	1	
8	GB/T 889.1-2000	Nylon Lock Nut M10	1	