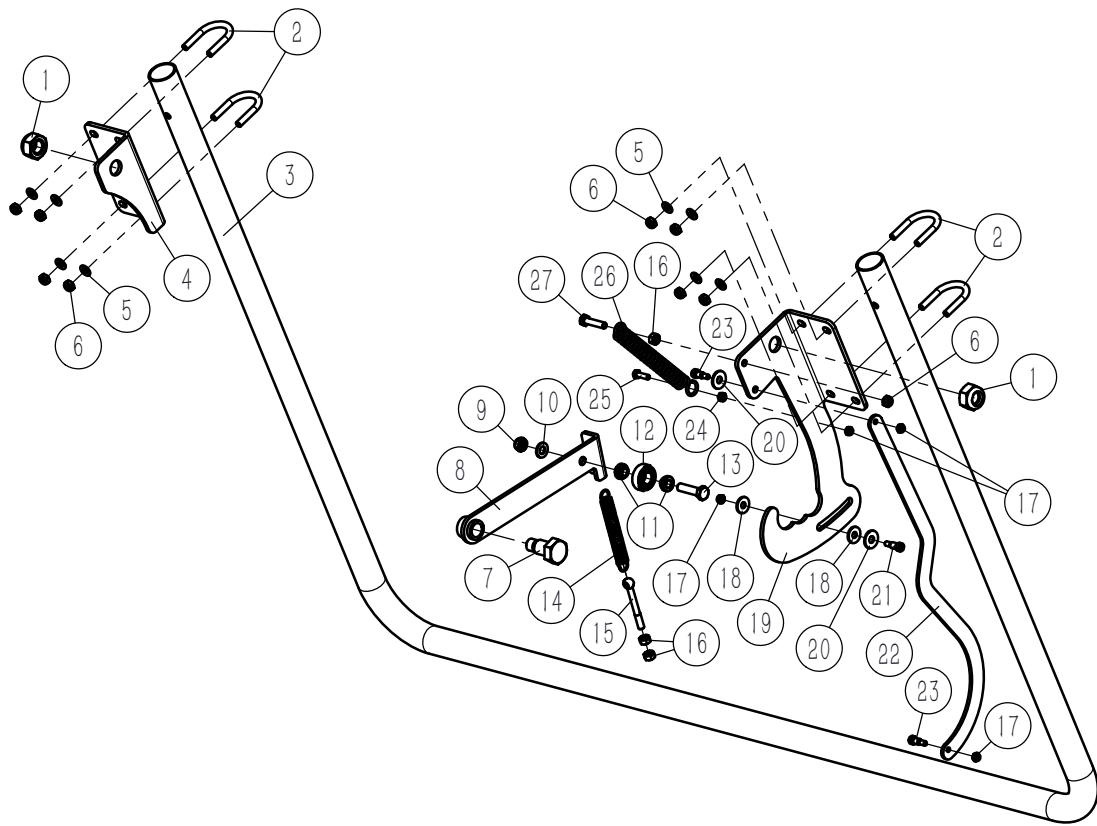
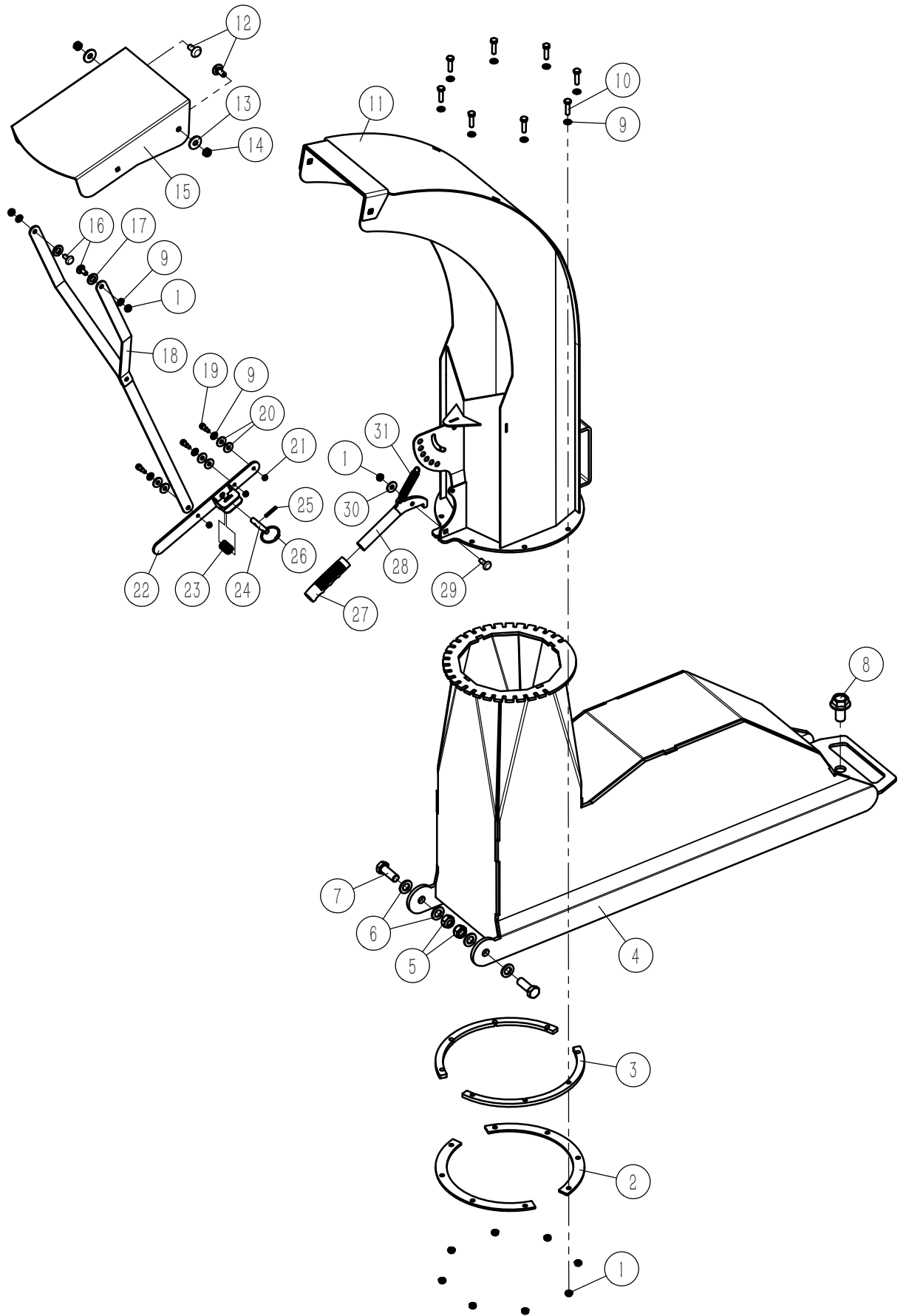


# A, Operation System

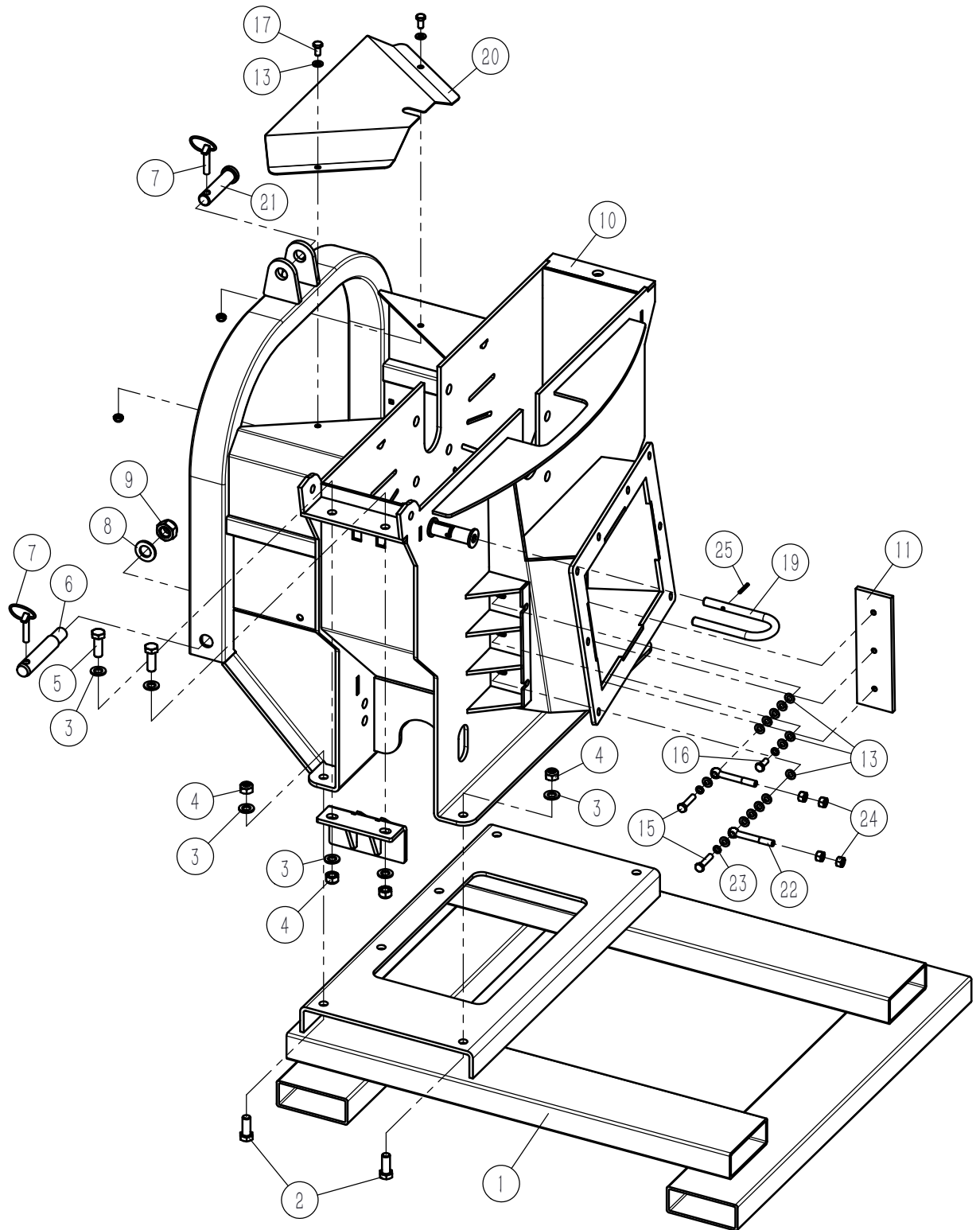


# B , Discharge system

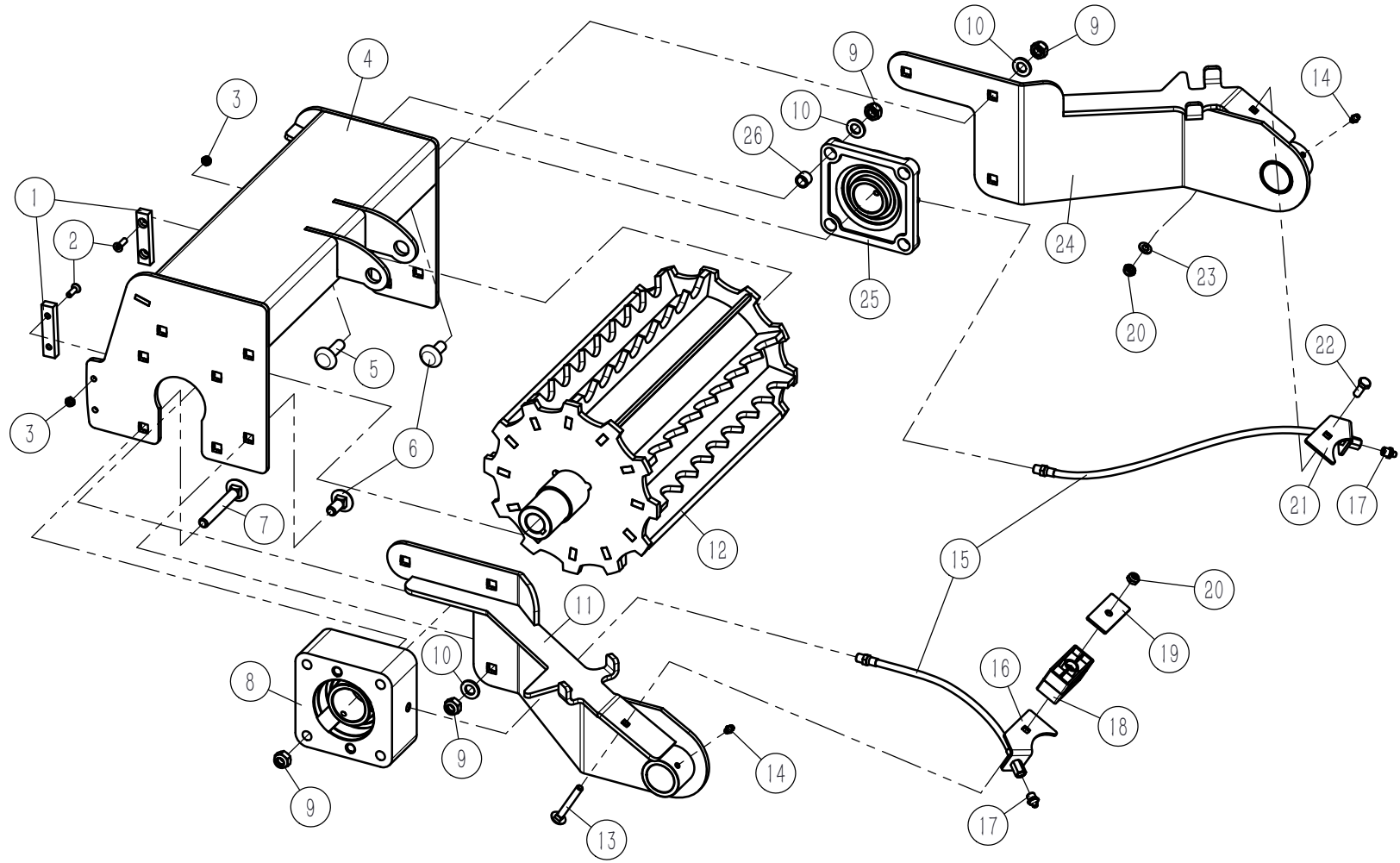




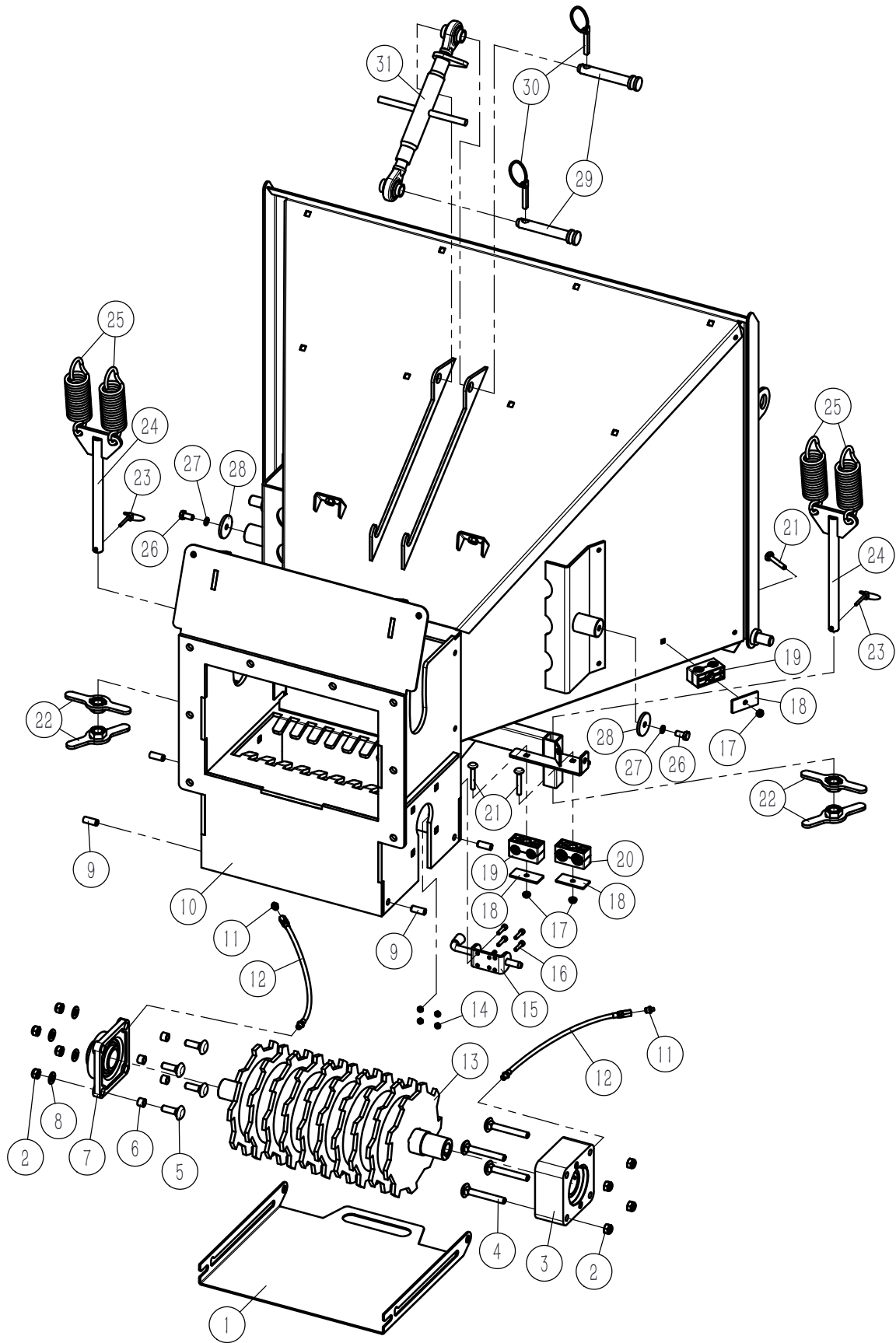
# D , Base



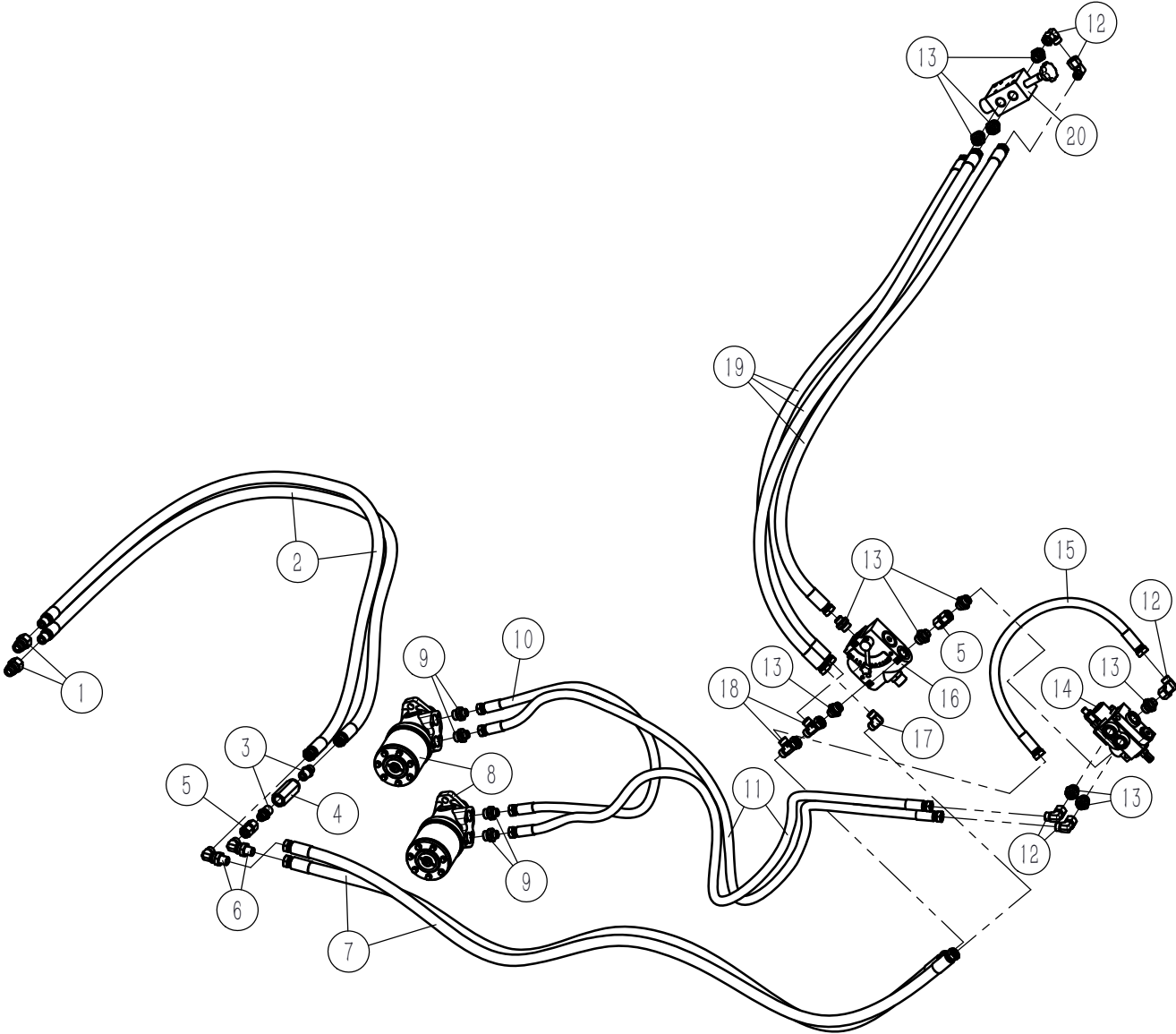
# E , Top Roller



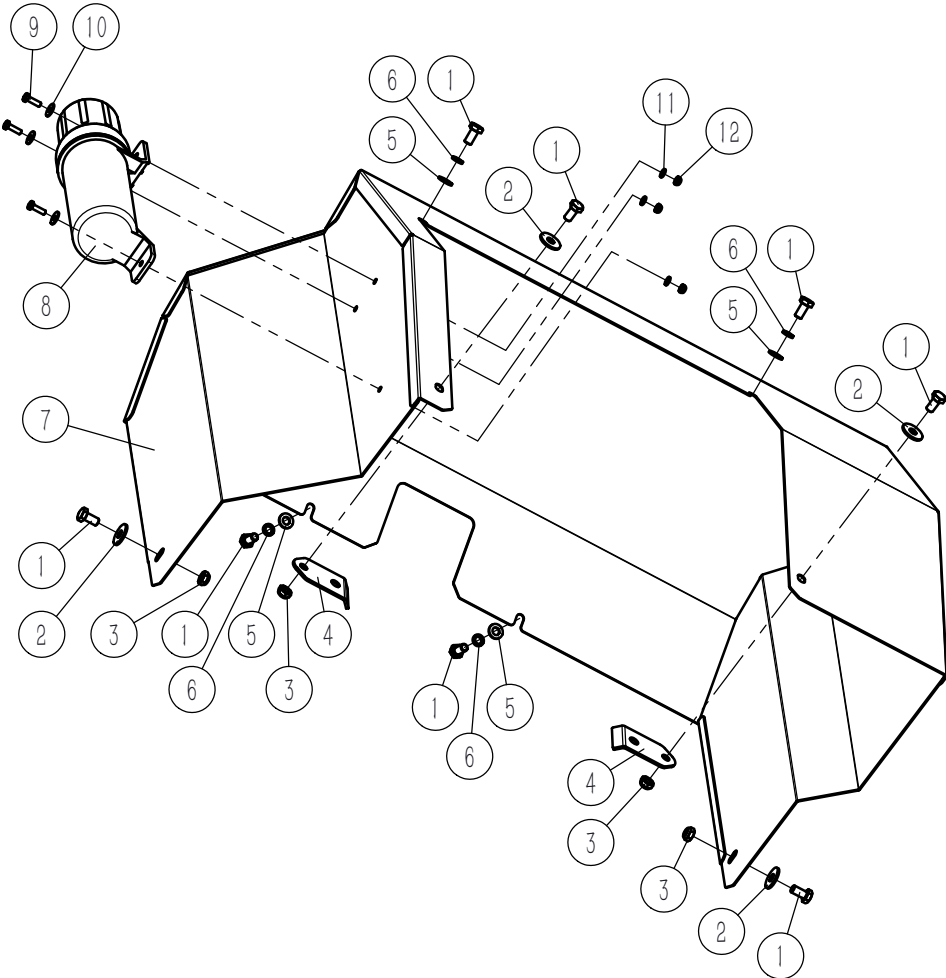
# F , Bottom roller



# G , Hydraulic system

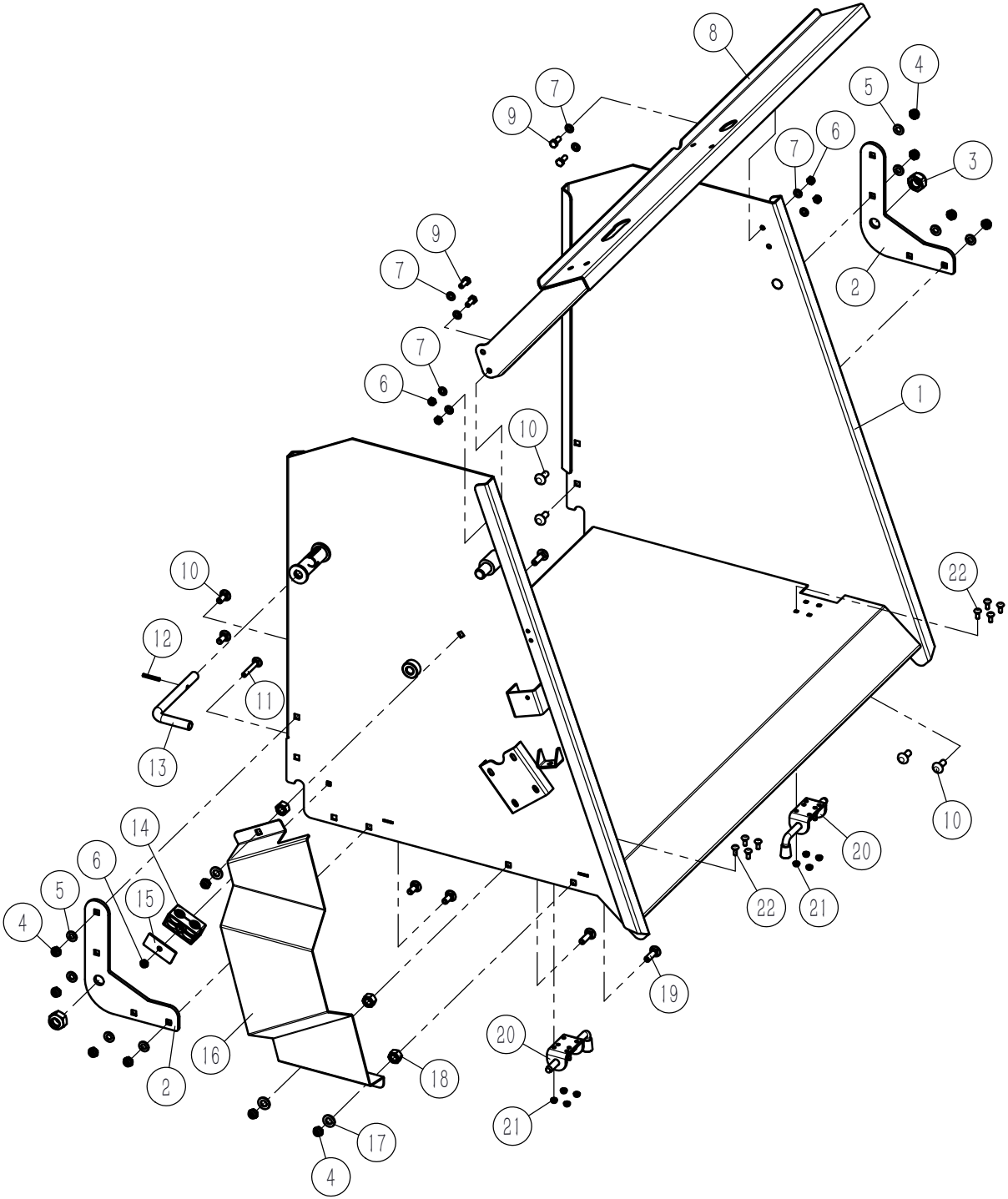


# H , Motor cover





# I , Folding bucket



## WC102R Part list

Item	Part no	Description	Qty	Remarks
A , Operation system				
1	DIN985-87	Nut M20	2	
2	WC52R-0137	U-bolt M8	4	
3	WC102R-0136D	Operation handle	1	
4	WC102R-0135D	Connecting plate	1	
5	GB97.1-85	Washer 8	8	
6	DIN985-87	Nut M8	9	
7	WC52R-0138	Bolt	1	
8	WC102R-0033	Rotor arm	1	
9	DIN985-87	Nut M10	1	
10	GB97.1-85	Washer 10	1	
11	WC52R-0131	Bush	2	
12	GB276-94	Bearing 6202	1	
13	GB5782-86	Bolt M10x40	1	
14	WC52R-0112	Unlock spring	1	
15	GB798-88	Swing bolt M8x70	1	
16	GB6170-86	Nut M8	3	
17	DIN985-87	Nut M6	4	
18	WC52R-0129	Nylon washer	2	
19	WC102R-0134D	Handle position plate	1	
20	GB96.2-2002	Washer 8	2	
21	ISO7379	Bolt M 6x12	1	
22	WC102R-0140D	Push-pull rod	1	
23	ISO7379	Bolt M 6x10	2	
24	GB6170-86	Nut M6	1	
25	GB5783-86	Bolt M6x20	1	
26	MZ105.114	Spring 56	1	
27	GB5783-86	Bolt M8x35	1	

## B , Discharge system

1	DIN985-87	Nut M8	11	
2	WC102R-0109	Semi-ring plate 1	2	
3	WC102R-0111	Semi-ring plate 2	2	
4	WC102R-0014	Fly wheel cover	1	
5	DIN985-87	Nut M16	2	
6	GB97.1-85	Washer 16	4	
7	GB5783-86	Bolt M16x45	2	
8	GB5789-1986	Bolt M20x40	1	
9	GB97.1-85	Washer 8	13	
10	GB5783-86	Bolt M 8x30	8	
11	WC102R-0015	Discharge chute	1	
12	GB794-93	Bolt M10x25	2	
13	GB96.2-2002	Washer 10	2	
14	DIN985-87	Nu M 10	2	
15	WC102R-0130	Guide exhaust hood	1	
16	GB794-93	Bolt M8x20	2	
17	GB97.1-85	Washer12	2	
18	WC102R-0039	Linkage fork	1	
19	ISO7379	Bolt M6x10	3	
20	WC52R-0129	Nylon washer	6	
21	DIN985-87	M6	3	
22	WC102R-0038	Adjusting handle	1	
23	WC42-0113	Lock pin press spring(21)	1	
24	WC102R-0120	Plug	1	
25	GB879.1-2000	Pin 5x30	1	
26	1ZS380F-0147	ring pull	1	
27	TY-SBT-22	Handle cover	1	
28	WC52R-0021	Position change handle	1	
29	GB794-93	Bolt M8x25	1	
30	GB96.2-2002	Washer8	1	
31	WC52R-0112	Unlock handle spring	1	

C, Disk				
1	DIN985-87	Nut M20	8	
2	GB97.1-85	Washer 20	8	
3	GB7810-95	UCF311 bearing with seat	2	
4	WC102R-0106	Bearing seat	2	
5	WC102R-0037	Coupled bearing	4	
6	GB6170-86	Nut M16	4	
7	GB93-87	Spring washer 16	4	
8	WC102R-0020	Disk shaft	1	
9	GB794-93	Bolt M16x70	4	
10	WC102R-0013	Flywheel	1	
11	WC102R-0104	Chipping blade	4	
12	GB97.1-85	Washer12	12	
13	GB93-87	Spring washer 12	12	
14	GB5786-86	Bolt M12x1.5x40	12	
D, Base				
1	WC102R-0011	Base	1	
2	GB5783-86	Bolt M16x40	6	
3	GB97.1-85	Washer 16	10	
4	DIN985-87	Nut M16	8	
5	GB5783-86	Bolt M16x45	2	
6	WC102R-0102	Pull rod pin shaft	2	
7	TY-SXZJ-12	Lock pin $\Phi$ 12	2	
8	GB97.1-85	Washer 24	2	
9	DIN985-87	Nut M24	2	
10	WC102R-0012D	Fly wheel cover	1	
11	WC102R-0103	Fix blade	1	
12	DIN985-87	Nut M10	2	
13	GB97.1-85	Washer 10	16	
14	TY-SXZJ-12	Lock pin $\Phi$ 12	1	
15	GB5783-86	Bolt M10x45	2	
16	GB5783-86	Bolt M10x25	1	
17	GB5783-86	Bolt M10x20	2	
18	WC102R-0019	The tooth of break	1	
19	WC52R-0107	Lock pin	1	
20	WC102R-0105	PTO cover	1	
21	1G180-117	Up hanging pin shaft	1	
22	GB798-88	Swing bolt M12x90	2	
23	GB93-87	Spring washer 10	3	
24	GB6170-86	Nut M12	4	
25	GB879.1-2000	Pin 5x35	1	

E , Top Roller				
1	WC52R-0117	Nylon liner	2	
2	GB70.3-2000	Screw M6x20	4	
3	DIN985-87	Nut M6	4	
4	WC102R-0025	Up roller cover	1	
5	GB794-93	Bolt M12x40	4	
6	GB794-93	Bolt M12x30	6	
7	GB794-93	Bolt M12x90	4	
8	WC102R-0030	Motor beating seat	1	
9	DIN985-87	Nut M12	14	
10	GB97.1-85	Washer 12	10	
11	WC102R-0026	Roller left swing arm	1	
12	WC102R-0024-1	Up roller	1	
13	GB794-93	Bolt M8x60	1	
14	GB1152-89	Oil cup M6	2	
15	WC102R-0089	Grease tube	2	
16	WC102R-0118	Left grease tube plate	1	
17	GB1152-89	Oil cup M10X1	2	
18	QHHTPG-320	Double pipe clamp	1	
19	QHHT-G3	Press plate	1	
20	DIN985-87	Nut M8	2	
21	WC102R-0119	Right grease tube plate	1	
22	GB5783-86	Bolt M8x20	1	
23	GB97.1-85	Washer 8	1	
24	WC102R-0027	Roller right swing arm	1	
25	GB7810-95	UCF208 bearing with seat	1	
26	WC52R-0126	Bush	4	
F , Bottom roller				
1	WC102R-0114	Drawer plate	1	
2	DIN985-87	Nut M12	8	
3	WC102R-0030	Motor beating seat	1	
4	GB794-93	Bolt M12x90	4	
5	GB794-93	Bolt M12x40	4	
6	WC52R-0126	Bush	4	
7	GB7810-95	UCF208 bearing with seat	1	
8	GB97.1-85	Washer 12	4	
9	GB879.1-2000	Pin 12x30	4	
10	WC102R-0017	Hopper	1	
11	GB1152-89	Oil cup M10X1	2	
12	WC52R-0089	Grease tube	2	

13	WC102R-0023-2	Bottom roller	1	
14	DIN985-87	Nut M6	4	
15	GK-182	Plug	1	
16	GB70.1-2000	Screw M6x25	4	
17	DIN985-87	Nut M8	3	
18	QHTT-G3	Press plate	3	
19	QHHTPG-320	Double pipe clamp	2	
20	QHHTPG-325	Double pipe clamp	1	
21	GB794-93	Bolt M8x55	3	
22	WC102R-0029	Hand screw nut M20	4	
23	TY-SXZJ-05	Lock pin $\Phi$ 5	2	
24	WC102R-0028	Tension spring rod	2	
25	WC52R-0121	Extension spring	4	
26	GB5783-86	Bolt M10x20	2	
27	GB93-87	Spring washer10	2	
28	WC52R-0122	Circlip	2	
29	WC42-0101	Pull rod pin shaft	2	
30	TY-SXZJ-12	Lock pin $\Phi$ 12	2	
31	MFP120.00.014	Pull rod	1	
<b>G , Hydraulic system</b>				
1	TY-KHJT-08G	Quick connector	2	
2	WC102R-0081	Out oil pipe	2	
3	1CT-18-08	Oil hose connector	2	
4	CIT-04	Single valve	1	
5	3C-18W	Oil hose connector	2	
6	6C9-18LN	Connector	2	
7	WC102R-0082	Governor valve tubing	2	
8	BMR375-2ADB0	Hydraulic motor	2	
9	1CB-16-08WD	Oil hose connector	4	
10	WC102R-0086	Intermotor tubing	1	
11	WC102R-0085	Motor tube	2	
12	2C9-18W	90°connector	5	
13	1CB-18-08WD	Oil hose connector	10	
14	P40E-OW-G1 / 2	One valve	1	
15	WC102R-0084	Valve return pipe	1	
16	FCH40-3830	Proportional valve	1	
17	1C9-18	90°connector	1	
18	CC-18W	Three links	2	
19	WC102R-0083	Stop valve hose	3	
20	JT60-2-4	Stop valve	1	

H , Motor cover				
1	GB5783-86	Bolt M10x20	8	
2	GB96.2-2002	Washer 10	4	
3	DIN985-87	Nut M10	4	
4	WC102R-0113	Connecting plate	2	
5	GB97.1-85	Washer 10	4	
6	GB93-87	Spring washer 10	4	
7	WC102R-0035	Motor cover	1	
8	WG-0004	Manual book box	1	
9	GB5783-86	Bolt M 6x20	3	
10	GB96.2-2002	Washer 6	3	
11	GB97.1-85	Washer 6	3	
12	DIN985-87	Nut M6	3	
I , Folding bucket				
1	WC102R-0018D	Folding bucket	1	
2	WC102R-0125	L shape plate	2	
3	DIN985-87	Nut M20	2	
4	DIN985-87	Nut M10	11	
5	GB97.1-85	Washer 10	8	
6	DIN985-87	Nut M8	5	
7	GB97.1-85	Washer 8	8	
8	WC102R-0040	Stop valve frame	1	
9	GB5783-86	Bolt M8x20	4	
10	GB12-88	Bolt M10x25	8	
11	GB794-93	Bolt M8x55	1	
12	GB879.1-2000	Pin 5x35	1	
13	WC52R-0124	Lock pin	1	
14	QHHTPG-320	Double pipe clamp	1	
15	QHHT-G3	Pressing plate	1	
16	WC102R-0133D	Valve cover	1	
17	GB97.1-85	Washer 12	3	
18	GB6170-86	Nut M14	3	
19	GB12-88	Bolt M10x35	3	
20	GK-182	Bolt	2	
21	DIN985-87	Nut M6	8	
22	GB12-88	Bolt M6x16	8	