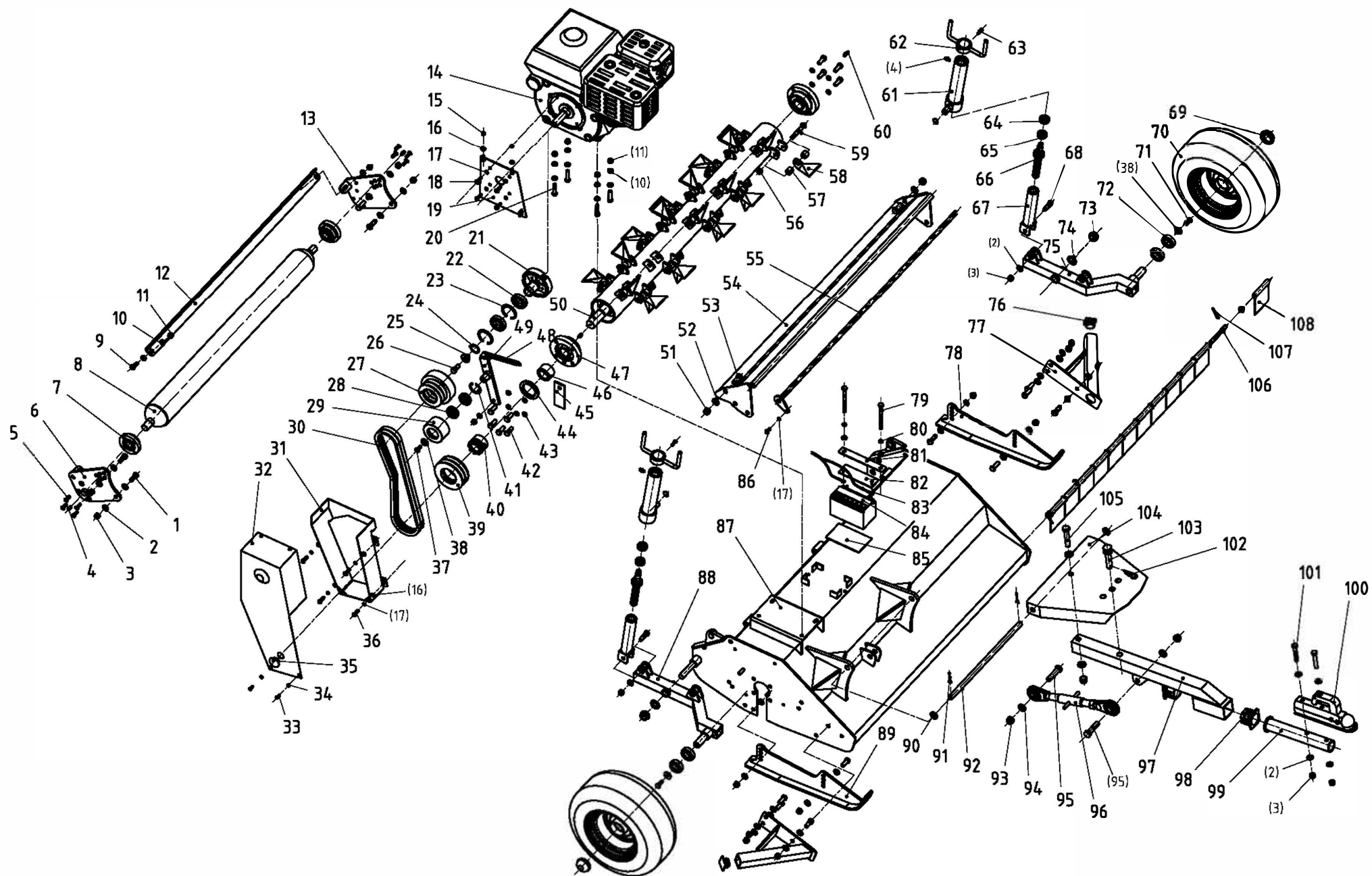


ATV MOWER



AT120A

Item	Part no	Description	Qty	Remark
1	GB5783-86	Bolt M12x35	8	
2	GB97.1-85	Washer12	49	
3	DIN985	Locknut M12	17	
4	GB1153-89	Oil cup M6	4	
5	GB/T 70.3-2008	Screw M8x25	8	
6	VFSH200.017	Roller plate(L)	1	
7	EF100.00.012	Bearing UC205	2	
8	VFSH200.018	Roller	1	
9	GB5783-86	Bolt M10x35	2	
10	GB97.1-85	Washer10	23	
11	DIN985	Lock nut M10	11	
12	VFSH200.106	Scraper	1	
13	VFSH200.020	Roller plate(R)	1	
14		Engine	1	
15	GB62-88	Disc nut M8	2	
16	GB97.1-85	Washer 8	6	
17	GB93-87	Washer 8	4	
18		Bolt 3/16	4	
19	AT120.016A	Linkage weldment	1	
20	GB5783-86	Bolt M10x45	4	
21	MFP120.00.017	Clutch	1	
22	GB279-88	Bearing6007Z	2	
23	GB893.1-86	Circlip 62	2	
24	GB894.1-85	Circlip 35	1	
25	AT120.110	Driving wheel cushion cover	1	
26	AT120.109	Engine Bolt	1	
27	AT120.108	Drive wheel	1	
28	GB279-88	Bearing 180105	2	
29	ATV120.153	Tension	1	
30	GB/T1154-97	Belt B1067	2	
31	AT120.018A	Belt wheel cover	1	
32	AT120.011A	Belt wheel cover plate	1	
33	GB97.1-85	Washer 6	2	
34	DIN316	Disc nut M6x15	2	
35	EF100.00.119	Rubber cover	1	
36	GB5783-86	Bolt MX25	8	
37	GB5783-86	Bolt M10X25	1	
38	GB96-85	Big washer 10	3	
39	AT120.111	Diven wheel	1	
40	JB/T7934 Z3	REACH 04 35X60	1	
41	GB893.1-86	Ring 47	1	
42	GB5783-86	Bolt M12x30	15	

43	GB93-87	Circlip 12	10	
44	GB13871-94	Oil seal FB55X80X8	1	
45	VFSH200.105	Rabbit baffle	1	
46	AT120.112	Oil seal sleeve	1	
47	UC207	Bearing 90207	2	
48	AT120.101	Tension spring	1	
49	AT120.025	Support plate welding piece	1	
50	AT120.019	Blade shaft	1	
51	DIN985	Lock nut M14	4	
52	GB97.1-85	Washer 14	4	
53	GB5783-86	Bolt M14x35	2	
54	VFLAH125.012	Tailgate welding	1	
55	VMA200.016	Rod	1	
56	DIN985	Lock nut M12x1.5	28	
57	FCN120.113	Spacer	56	
58	FCN120.110	Hammer	28	
59	GB5782-86	Bolt M12x1.5x78	28	
60	GB1153-89	Oil cup M8x1	2	
61	MFP120.00.038-B	Out shaft weldment	2	
62	MFP120.00.039B	Handel weldment	2	
63	GB 70-85	Screw M8x30	2	
64	GB 276-94	Bearing 61904	2	
65	GB 301-95	Bearing 51104	2	
66	TR200.00.120B	Lifting screw	2	
67	MFP120.00.037-B	Fork weldment	2	
68	GB5782-86	Bolt M12x60	2	
69		Dust cover 52	2	
70		Tyre 16.5*6.5-8	2	
71	GB5783-86	Bolt M10x25	2	
72	GB/T278-94	Bearing 80205	4	
73	DIN985	Lock nut M20	2	
74	GB97.1-85	Washer 20	2	
75	AT120.021A	Tyre support weldment(R)	2	
76	MFP120.00.101	Big block	6	
77	AT120.020	Protection frame	2	
78	RMC200.013	Right base	1	
79	GB5782-86	Bolt M10x120	2	
80	GB93-87	Washer 10	4	
81	AT120.107	Battery holder	1	
82	AT120.106	Rubber plate 150x50	1	
83	AT120.010	Battery wiring	2	
84		Battery 12V-6A	1	
85	AT120.105	Rubber plate 150x90	1	
86	GB5783-86	Bolt M8x30	1	
87	AT120.012A	Hood	1	

88	AT120.021A-1	Tyre support weldment(L)	2	
89	RMC200.012	Left base	1	
90	GB97.1-85	Washer 18	2	
91	GB91-86	Cotter 5x32	2	
92	AT120.102	axis of traction	1	
93	DIN985	Lock nut M16	3	
94	GB97.1-85	Washer 16	6	
95	GB5782-86	Bolt M16x65	2	
96		Lifting lever	1	
97	AT120.014	Traction square welded	1	
98	AT120.104	Shaft sleeve	2	
99	AT120.015	Traction shaft tube welded	1	
100	GM8610	Trailer cover	1	
101	GB5782-86	Bolt M12x70	3	
102		R pin	1	
103	AT120.103	Bolt	1	
104	AT120.013	Traction frame	1	
105	GB5782-86	Bolt M16x80	1	
106	RMC200.102	Baffle hang lever	1	
107	GB91-86	Cotter 4X28	2	
108	VFSH200.103	Baffle	12	